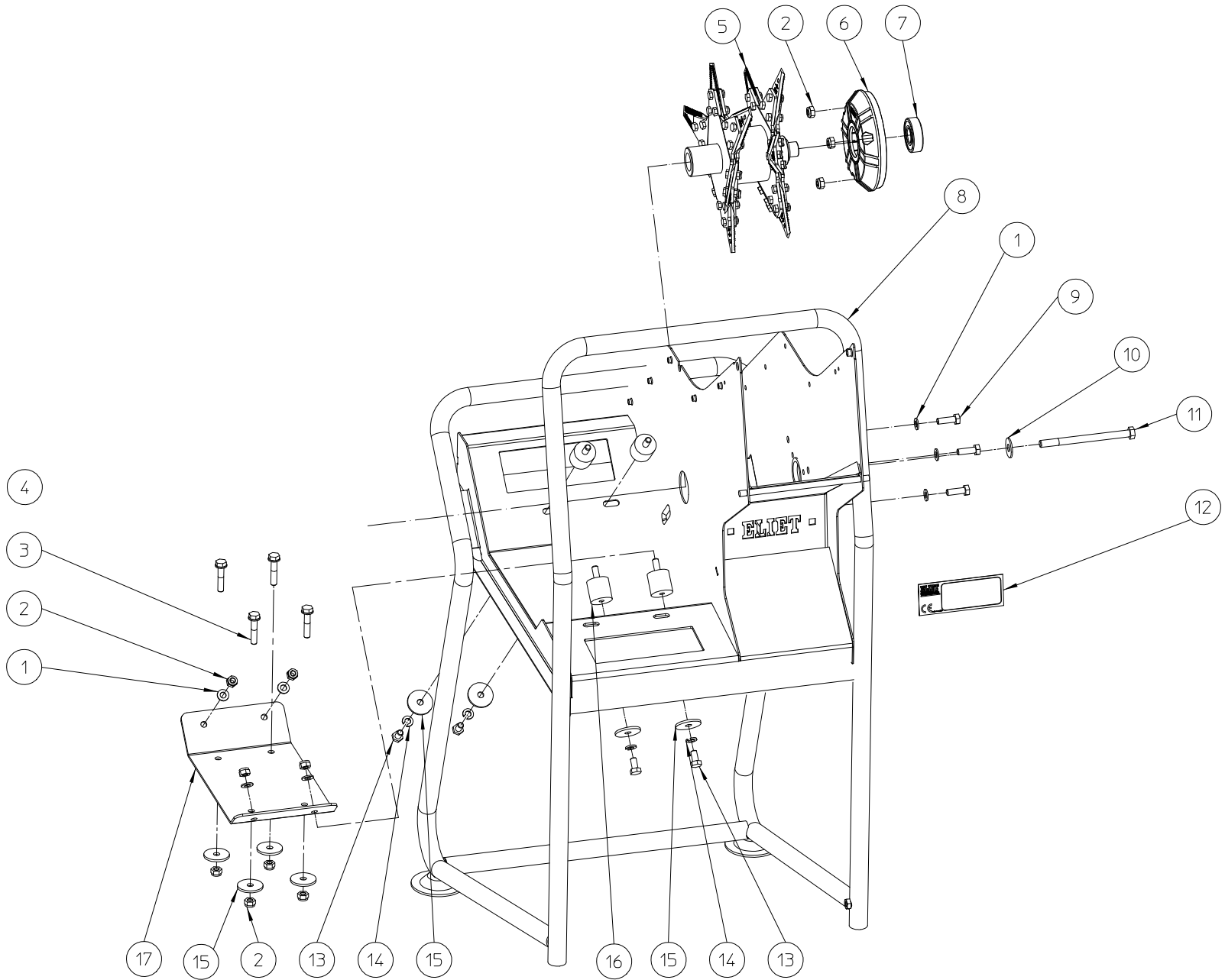


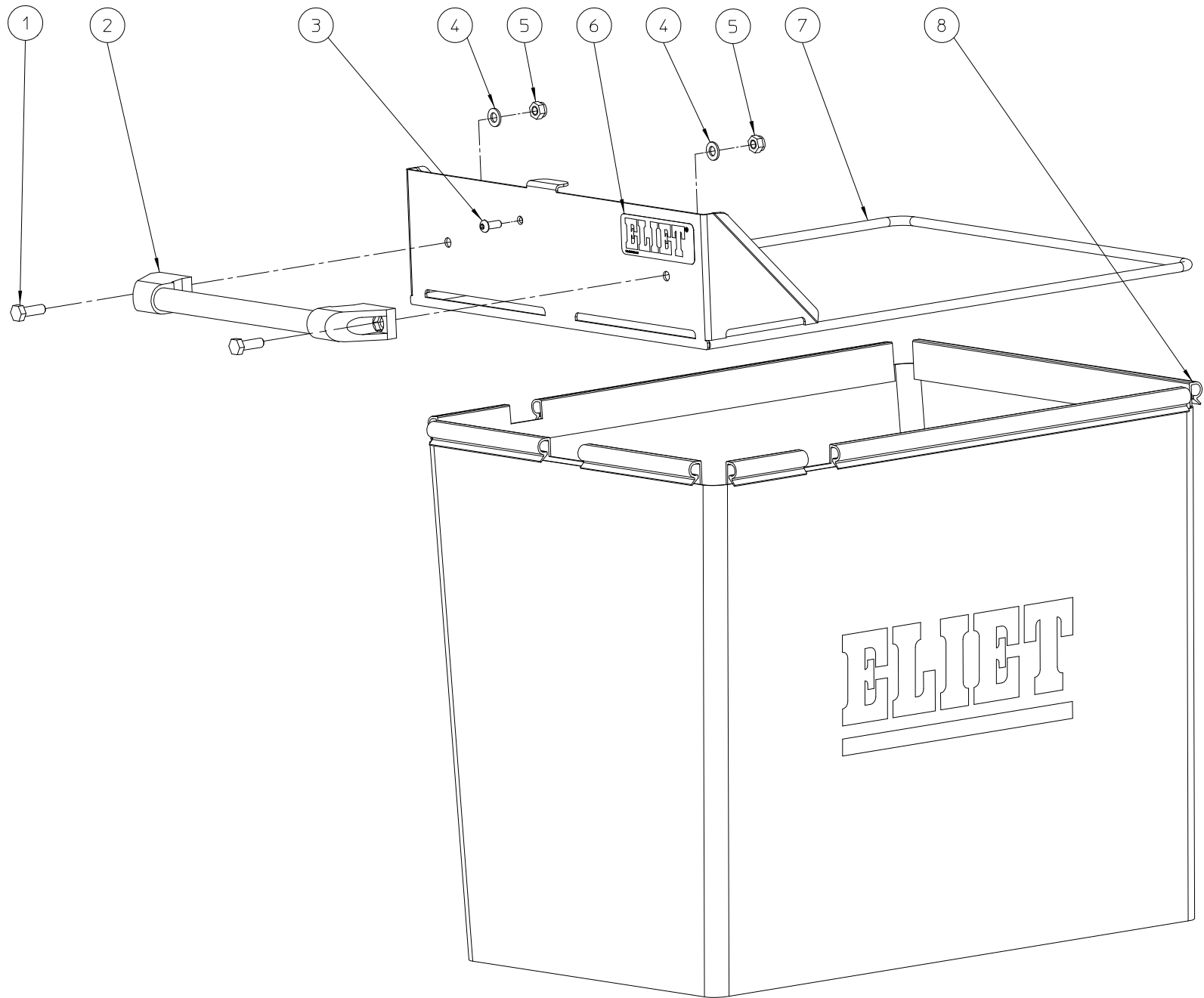
NO	MMA 01 221 100	REV	1	DATE	2017/04/04
----	----------------	-----	---	------	------------

#	Order nr	article description	quantity
1	MMA 01 221 140	engine - blade shaft	1



ELIET MAESTRO COUNTRY --- ROTOR				
NO	MMA 01 221 140	REV	1	DATE 2017/09/12

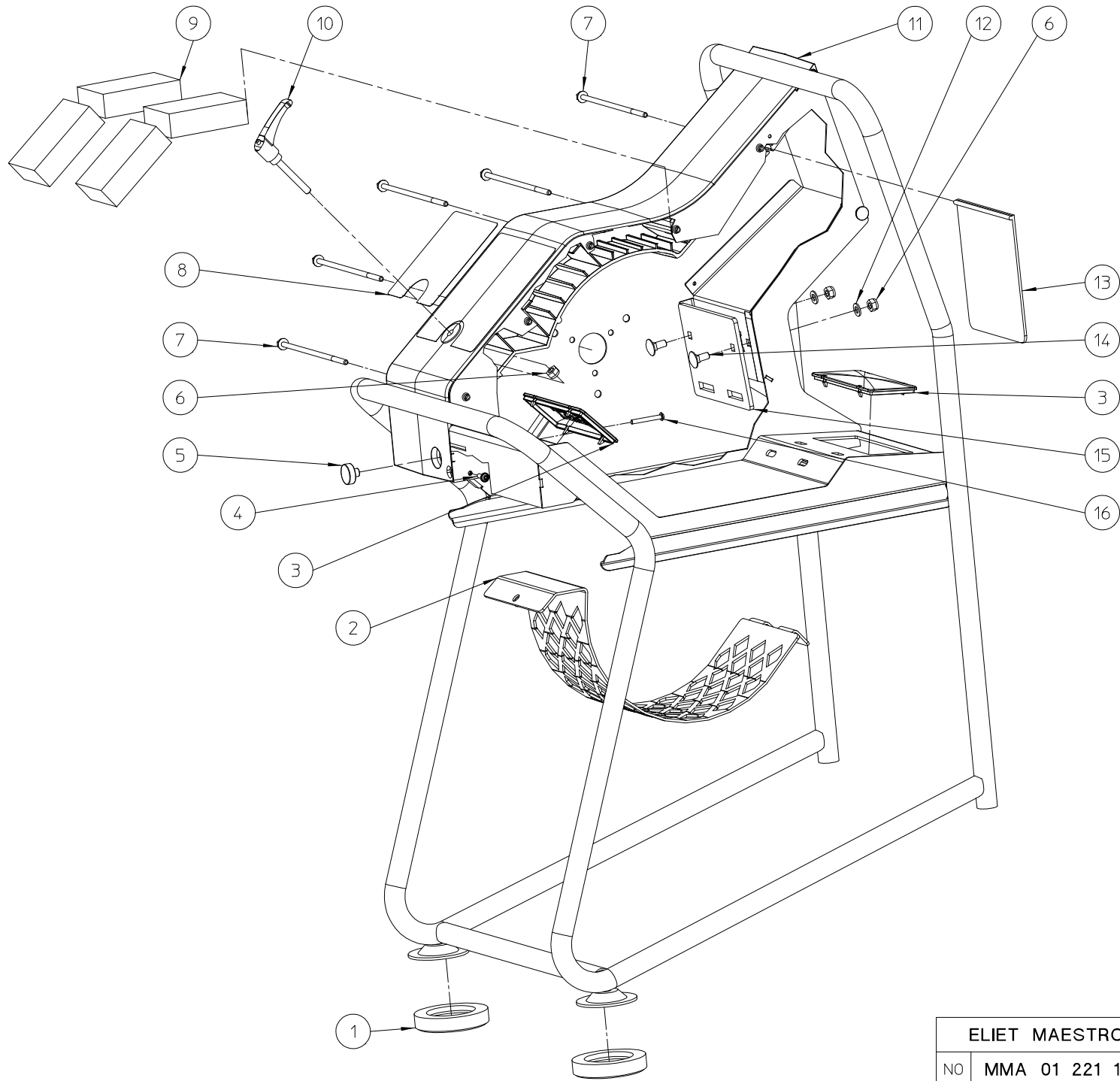
#	Order nr	article description	quantity
1	BS 531 000 800	washer m8 din 125	11
2	BS 502 000 800	self locking nut m8 din 985	11
3	BS 511 000 840	bolt m8x40 din 931	4
4	BM 200 913 001	b&s series xr 950 6,5 hp	1
5	MPA 01 221 100	rotor maestro	1
6	BR 692 047 290	antivibration block maestro	1
7	BL 002 004 703	bearing 6204 zz	1
8	MPA 01 221 050	chassis country	1
9	BS 512 000 825	bolt m8x25 din 933	3
10	BS 532 010 274	washer m10x27x2	1
11	BS 511 041 052	bolt unf 3/8" x 5"	1
12	BQ 505 010 010	identity sticker ce 120x30	1
13	BS 512 000 816	bolt m8x16 din 933	4
14	BS 533 000 800	lock washer m8 din 127b	4
15	BS 532 008 356	washer m8x35x3	8
16	BR 600 130 301	antivibration blocks 30x30b m8x16	4
17	MPA 01 221 410	engineplate	1



ELIET MAESTRO COUNTRY -- BAG

NO	MMA 01 221 130	REV	1	DATE	2017/09/12
----	----------------	-----	---	------	------------

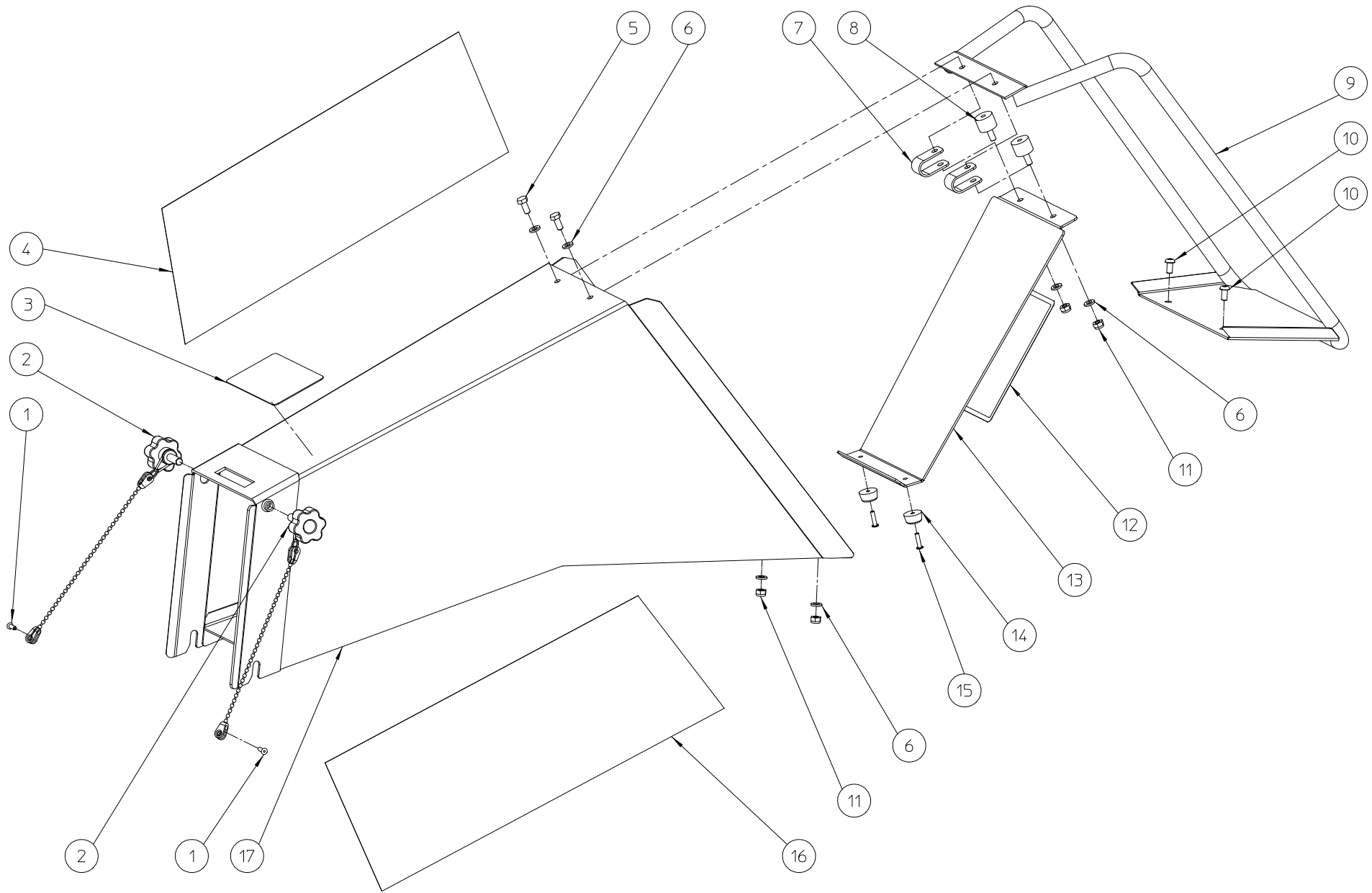
#	Order nr	article description	quantity
1	BS 512 000 825	bolt m8x25 din 933	2
2	BN 372 700 100	grip	1
3	BS 522 500 616	screw m6x16 iso 7380	1
4	BS 531 000 800	washer m8 din 125	2
5	BS 502 000 800	self locking nut m8 din 985	2
6	BQ 501 010 090	sticker eliet 100x35	1
7	MPA 01 221 090	frame bag	1
8	BQ 348 020 040	bag maestro country	1



ELIET MAESTRO COUNTRY -- CHASSIS

NO	MMA 01 221 150	REV	1	DATE	2017/09/12
----	----------------	-----	---	------	------------

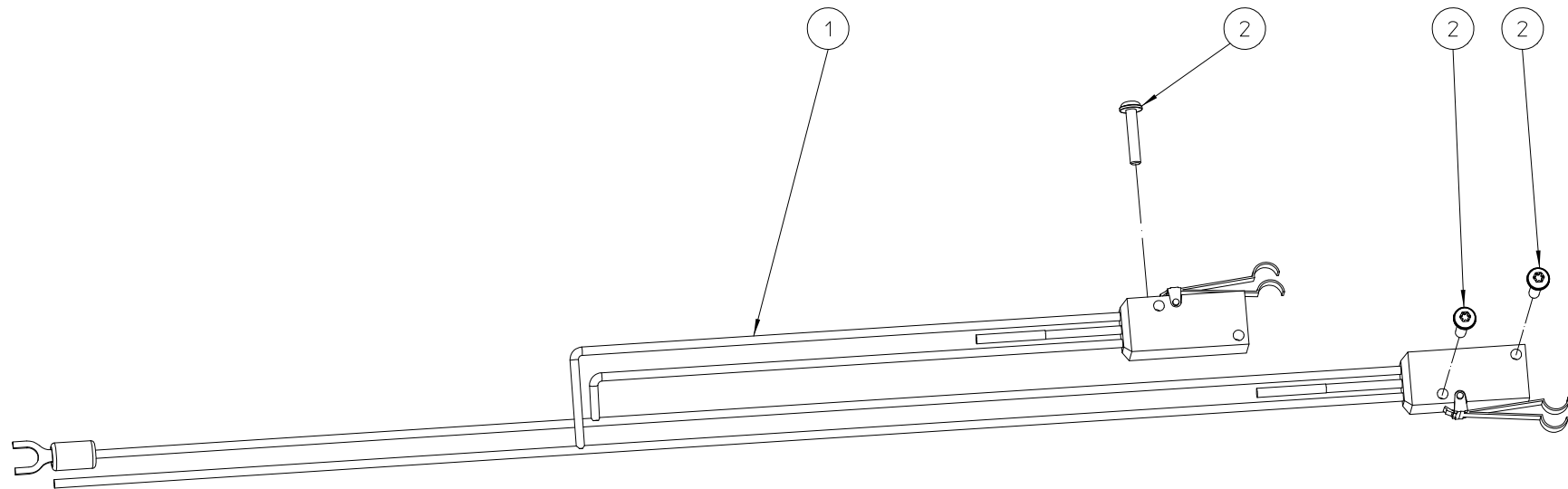
#	Order nr	article description	quantity
1	BR 900 000 110	rubber socks dia 90x18mm	2
2	MPA 01 221 430	standard grating	1
3	BR 930 220 040	window	2
4	BS 540 100 516	torx tread forming screw 5x16	1
5	BE 120 040 070	magnet maestro	1
6	BS 502 000 800	self locking nut m8 din 985	3
7	BS 511 400 657	hexagon flange bolts m6x170 din 6921	5
8	BQ 505 010 500	safety sticker sieve	1
9	BQ 158 000 204	insulation foam	4
10	BN 530 108 601	clamp levers	1
11	BR 930 220 030	milling compartment lining	1
12	BS 531 000 800	washer m8 din 125	2
13	BR 900 001 730	rubber	1
14	BS 554 100 820	bolt m8x20 din 603	2
15	MPA 01 221 420	anvil	1
16	BS 522 600 540	screw m5x40	1



ELIET MAESTRO COUNTRY -- FRONT SIDE

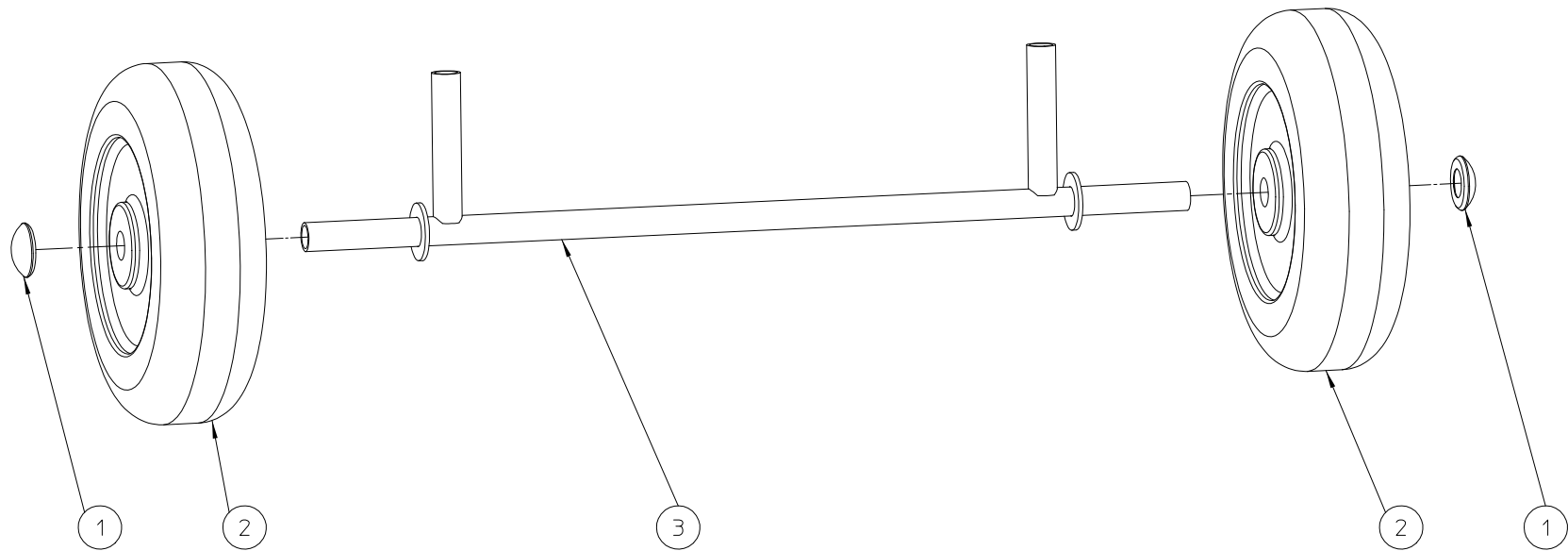
NO	MMA 01 221 110	REV	1	DATE	2017/09/12
----	----------------	-----	---	------	------------

#	Order nr	article description	quantity
1	BB 222 104 120	pop plug alu 3.9x12 din 7337 b	2
2	BN 632 508 250	lob knob	2
3	BQ 505 010 480	safety sticker	1
4	BQ 501 020 340	sticker eliet maestro (r)	1
5	BS 512 000 614	bolt m6x14 din 933	2
6	BS 531 000 600	washer m6 din 125	6
7	BR 910 000 020	retainer ertalon 80x20x2	2
8	BR 600 220 150	antivibration blocks 20x15b m6x15	2
9	MPA 01 221 070	bracket	1
10	BS 522 500 612	screw m6x12 iso 7380	2
11	BS 502 000 600	self locking nut m6 din 985	4
12	BQ 505 010 140	safety sticker 150x100 (in feed)	1
13	MPA 01 221 440	cover	1
14	BR 625 020 100	rubber foot	2
15	BB 221 104 160	pop plug alu 3.9x16 din 7337 a	2
16	BQ 501 020 330	sticker eliet maestro (l)	1
17	MPA 01 221 060	funnel	1



ELIET MAESTRO -- ELECTRICAL SYSTEM					
NO	MMA 01 221 160	REV	1	DATE	2017/09/12

#	Order nr	article description	quantity
1	BE 099 002 201	wiring	1
2	BS 540 100 316	torx tread forming screw 3x16	3



ELIET MAESTRO -- WHEEL					
NO	MMA 01 221 120	REV	1	DATE	2017/09/12

#	Order nr	article description	quantity
1	BB 011 000 200	starlock 20mm	2
2	BW 024 520 010	wheel 3.00-4	2
3	MPA 01 221 080	suport wheels	1