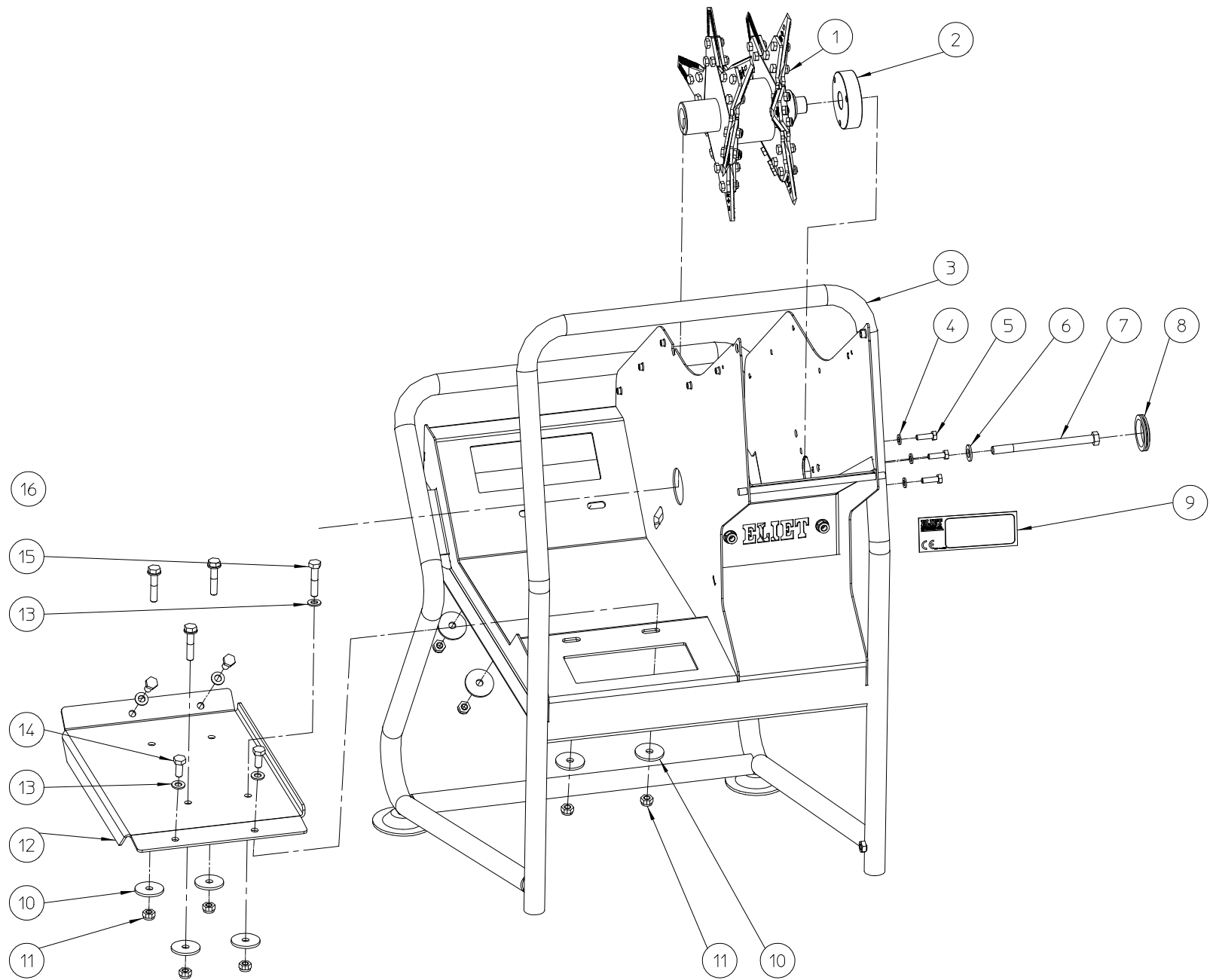


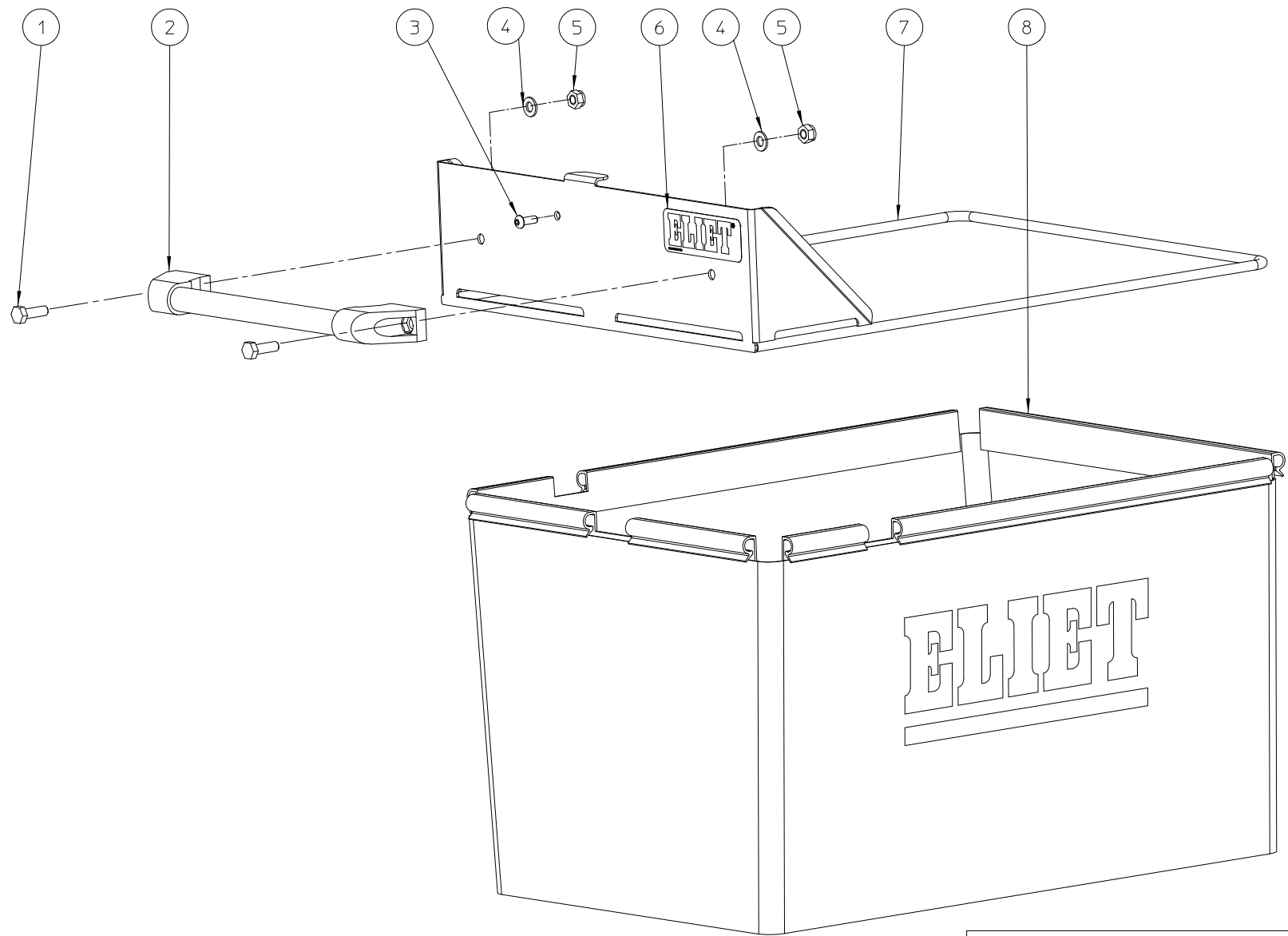
ELIET MAESTRO CITY -- GENERAL				
NO	MMA 01 221 200	REV	1	DATE 2017/09/12

#	Order nr	article description	quantity
1	MMA 01 221 240	engine - blade shaft	1
2	MMA 01 221 230	collecting bag	1
3	MMA 01 221 250	chassis	1
4	MMA 01 221 210	funnel	1
5	MMA 01 221 160	electric	1
6	MMA 01 221 120	suport wheels	1



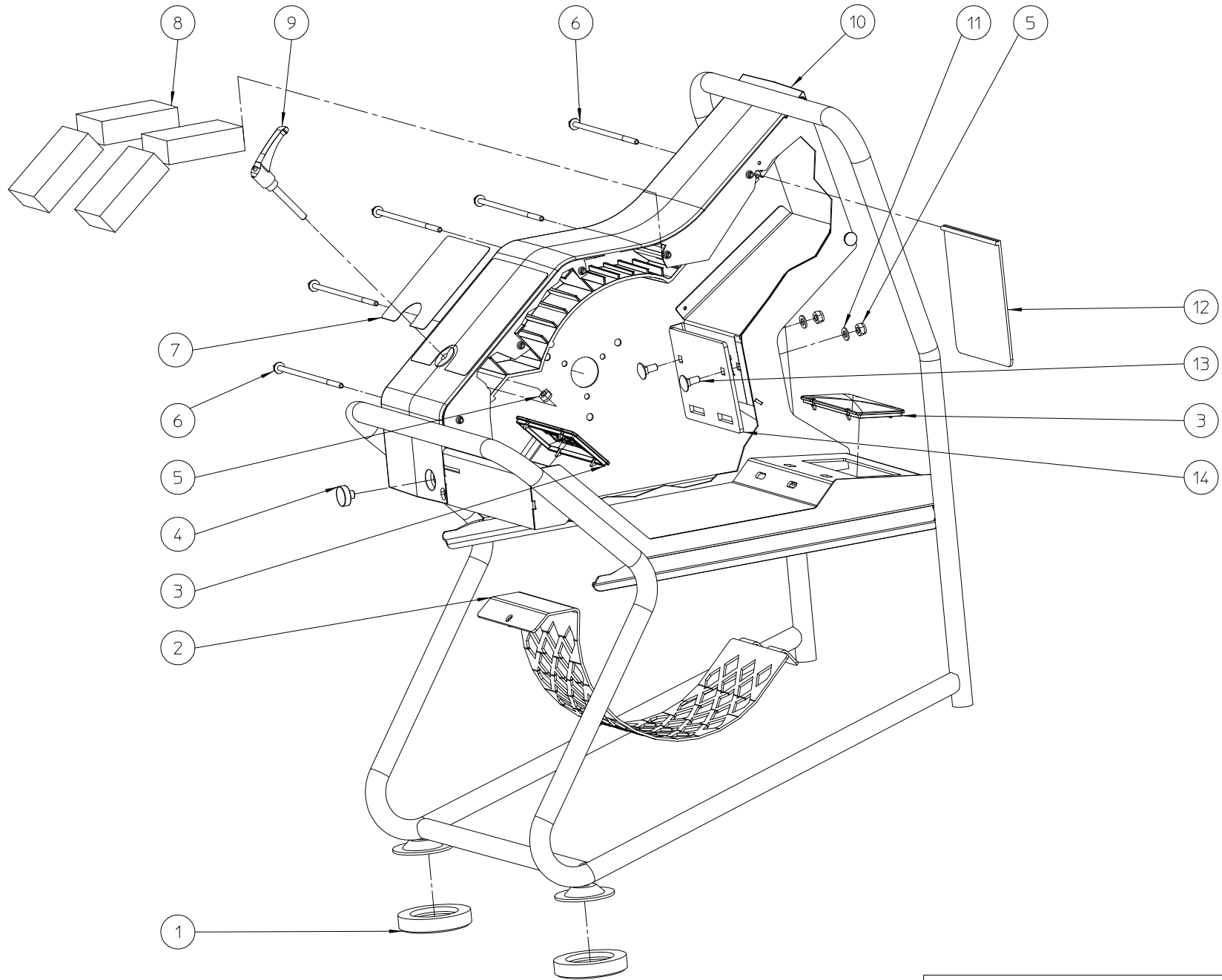
ELIET MAESTRO CITY -- ROTOR					
NO	MMA 01 221 240	REV	1	DATE	2017/09/12

#	Order nr	article description	quantity
1	MPA 01 221 100	rotor maestro	1
2			1
3	MPA 01 221 040	chassis city	1
4	BS 531 000 600	washer m6 din 125	3
5	BS 512 000 620	bolt m6x20 din 933	3
6	BS 531 001 000	washer m10 din 125	1
7	BS 511 041 052	bolt unf 3/8" x 5"	1
8	BR 500 103 800	rubber plug 42x38x1.6	1
9	BQ 505 010 010	identity sticker ce 120x30	1
10	BS 532 008 356	washer m8x35x3	8
11	BS 502 000 800	self locking nut m8 din 985	10
12	MPA 01 221 460	support engine	1
13	BS 531 000 800	washer m8 din 125	12
14	BS 512 000 820	bolt m8x20 din 933	4
15	BS 511 000 840	bolt m8x40 din 931	4



ELIET MAESTRO CITY -- BAG					
NO	MMA 01 221 230	REV	1	DATE	2017/09/12

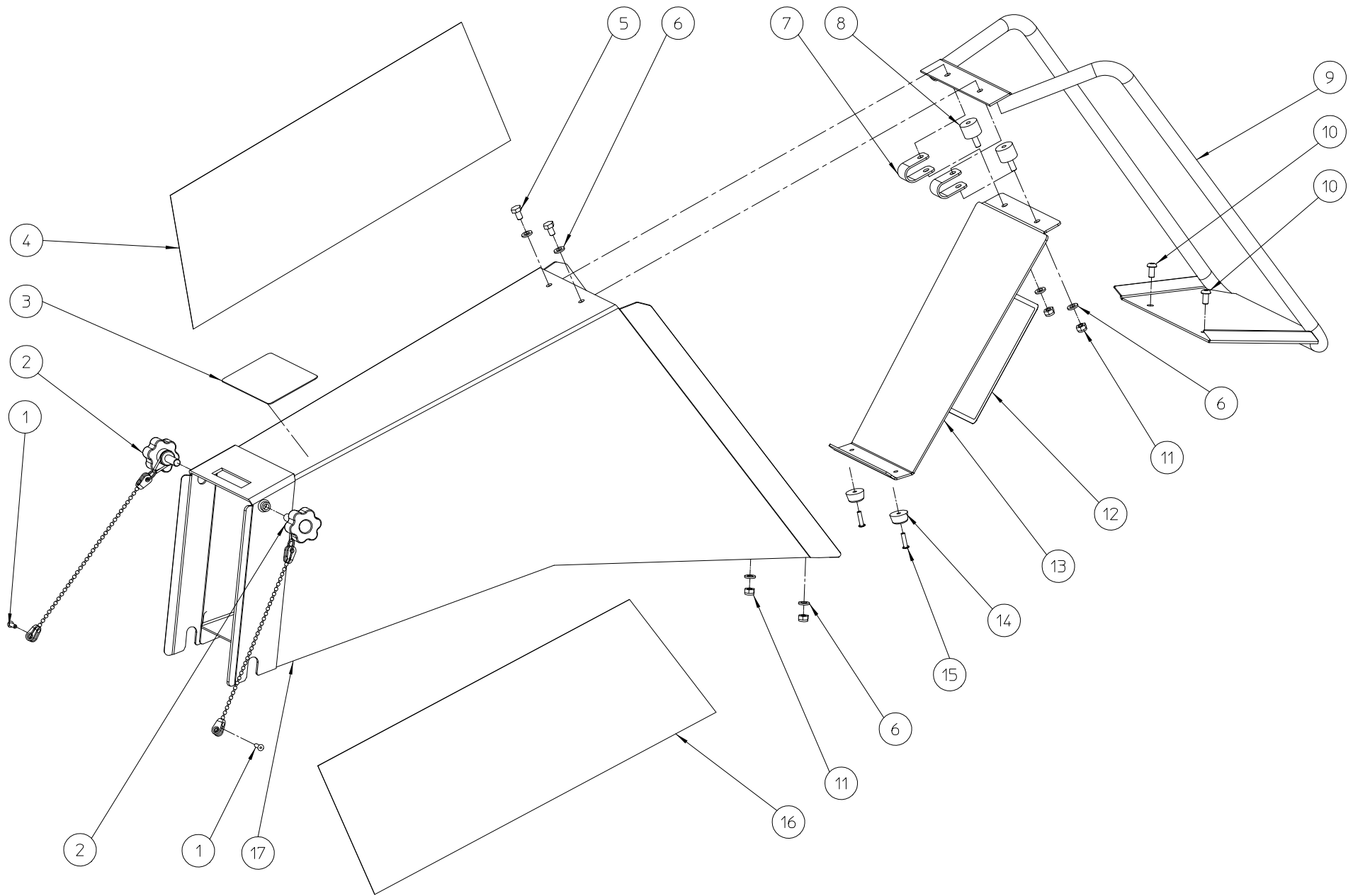
#	Order nr	article description	quantity
1	BS 512 000 825	bolt m8x25 din 933	2
2	BN 372 700 100	grip	1
3	BS 522 500 616	screw m6x16 iso 7380	1
4	BS 531 000 800	washer m8 din 125	2
5	BS 502 000 800	self locking nut m8 din 985	2
6	BQ 501 010 090	sticker eliet 100x35	1
7	MPA 01 221 090	frame bag	1
8	BQ 348 020 030	bag maestro city	1



ELIET MAESTRO CITY -- CHASSIS

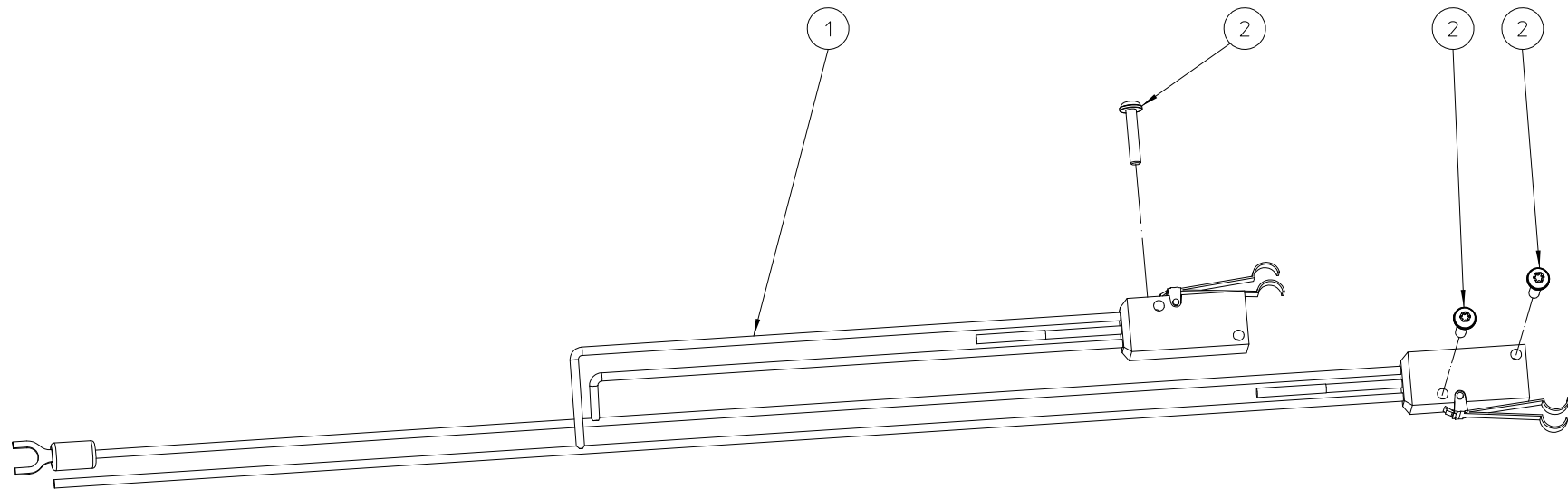
NO	MMA 01 221 250	REV	1	DATE	2017/09/12
----	----------------	-----	---	------	------------

#	Order nr	article description	quantity
1	BR 900 000 110	rubber socks dia 90x18mm	2
2	MPA 01 221 430	standard grating	1
3	BR 930 220 040	window	2
4	BE 120 040 070	magnet maestro	1
5	BS 502 000 800	self locking nut m8 din 985	3
6	BS 511 400 657	hexagon flange bolts m6x170 din 6921	5
7	BQ 505 010 500	safety sticker sieve	1
8	BQ 158 000 204	insulation foam	4
9	BN 530 108 601	clamp levers	1
10	BR 930 220 030	milling compartment lining	1
11	BS 531 000 800	washer m8 din 125	2
12	BR 900 001 730	rubber	1
13	BS 554 100 820	bolt m8x20 din 603	2
14	MPA 01 221 420	anvil	1



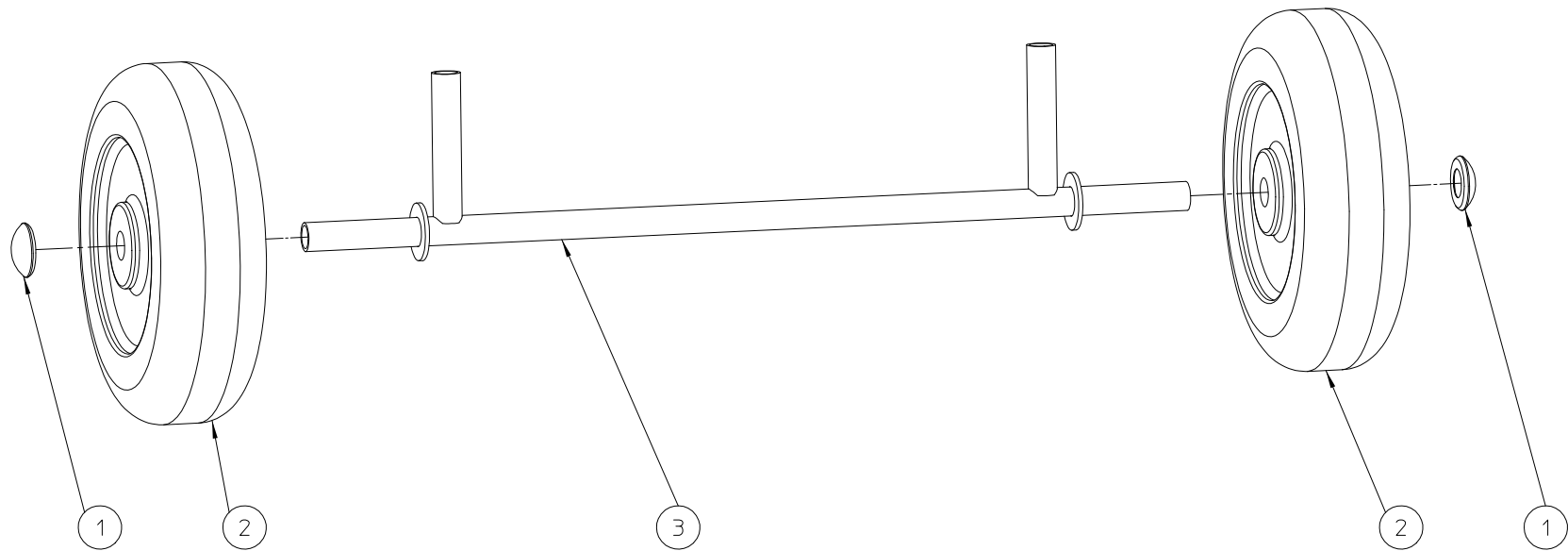
ELIET MAESTRO CITY -- FRONT SIDE					
NO	MMA 01 221 210	REV	1	DATE	2017/09/12

#	Order nr	article description	quantity
1	BB 222 104 120	pop plug alu 3.9x12 din 7337 b	2
2	BN 632 508 250	lob knob	2
3	BQ 505 010 480	safety sticker	1
4	BQ 501 020 320	sticker eliet city (r)	1
5	BS 512 000 610	bolt m6x10 din 933	2
6	BS 531 000 600	washer m6 din 125	6
7	BR 910 000 020	retainer ertalon 80x20x2	2
8	BR 600 220 150	antivibration blocks 20x15b m6x15	2
9	MPA 01 221 070	bracket	1
10	BS 522 500 612	screw m6x12 iso 7380	2
11	BS 502 000 600	self locking nut m6 din 985	4
12	BQ 505 010 140	safety sticker 150x100 (in feed)	1
13	MPA 01 221 440	cover	1
14	BR 625 020 100	rubber foot	2
15	BB 221 104 160	pop plug alu 3.9x16 din 7337 a	2
16	BQ 501 020 310	sticker eliet city (l)	1
17	MPA 01 221 060	funnel	1



ELIET MAESTRO -- ELECTRICAL SYSTEM					
NO	MMA 01 221 160	REV	1	DATE	2017/09/12

#	Order nr	article description	quantity
1	BE 099 002 201	wiring	1
2	BS 540 100 316	torx tread forming screw 3x16	3



ELIET MAESTRO -- WHEEL				
NO	MMA 01 221 120	REV	1	DATE 2017/09/12

#	Order nr	article description	quantity
1	BB 011 000 200	starlock 20mm	2
2	BW 024 520 010	wheel 3.00-4	2
3	MPA 01 221 080	suport wheels	1