



## Ersatzteile

AS 510 2in1 2T ES A

- from serial No. 031318020001 Series start

Seriennummer, Серийен номер, Sériové číslo, Serial number, Número de serie, Sarjanumero, Numéro de série, Serijski broj, Sorozatszám, Numero di serie, Serijos numeris, Seriennummer, Numer seryjny, Serijska številka

---

DE Hier Aufkleber aus Garantiekarte aufkleben.  
BG Залепете тук стикери от гаранционната Карта.  
CZ Sem nalepte nálepku ze záručního listu.  
DK Her skal mærkaten fra garantikortet klæbes på.  
GB Please adhere the sticker from the warranty card here.  
ES Pegar aquí el adhesivo de la tarjeta de garantía.  
FI Liimaa takuukortin tarra tähän.  
FR Collez ici l'autocollant placé sur la carte de garantie .  
HR Ovdje zalijepite naljepnicu iz jamstvenog lista.

HU Ide ragassza a matricát a garanciakártyából.  
IT Applicare qui l'etichetta, come scheda di garanzia.  
LT Čia užklijuokite garantijos pase pateiktą lipduką.  
NL Plak hier sticker uit garantiekaart.  
NO Lim klistremerke fra garantikortet inn her.  
PL Tutaj nakleić naklejkę na kartę gwarancyjną.  
SL Tukaj nalepite nalepko z garancijskega lista.  
SE Klistra fast etiketten från garantikortet här.

---

Ab Serien Nr.: from serial No. 031318020001 Series start

Ausgabe: 02.04.2020, EN

AS-Motor Germany GmbH & Co. KG  
Ellwanger Straße 15  
D-74424 Bühlertann  
Telefon 07973-9123-0  
Telefax 07973-9123-259  
www.as-motor.de

## **If you need spare parts:**

1. Send your order to your AS-Motor dealer.
2. In order to get you the right spare part he needs:
  - **Model name (s. sticker on the machine)**
  - **Serial No. of machine (sticker or S/N lable)**
  - **Articlenumber**
  - **Your dealer orders part in our online system parts and more.**

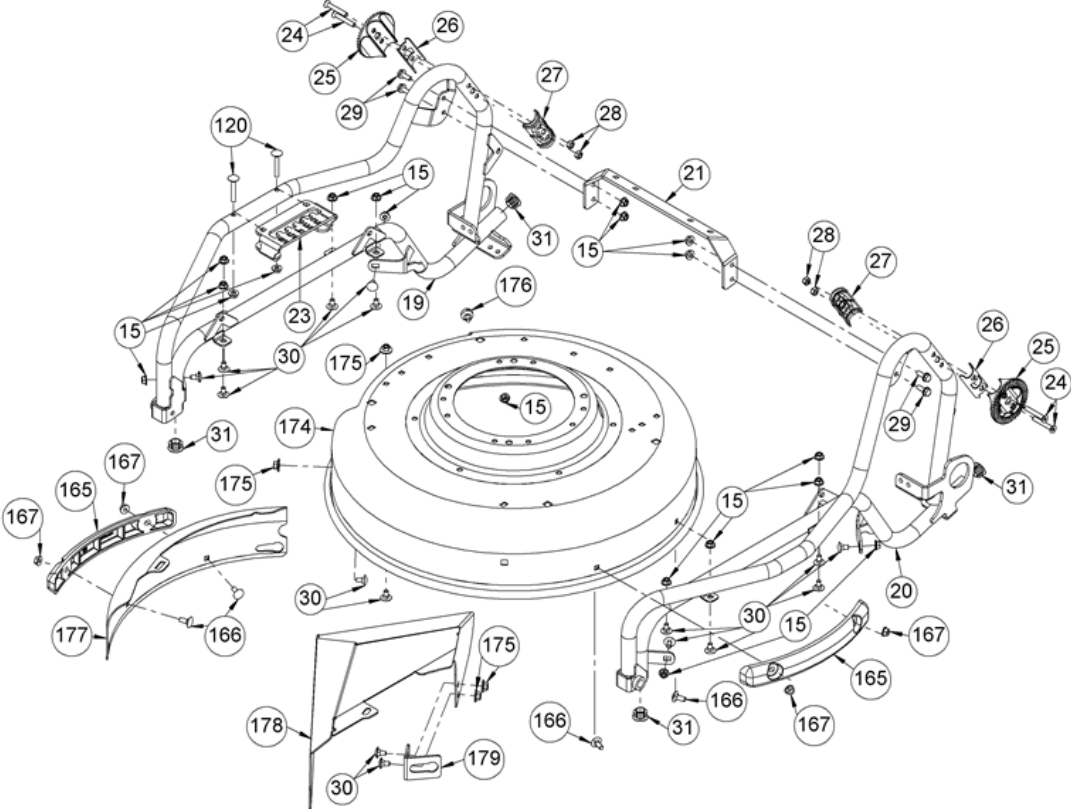
Only in this case you receive all important information about proper spare parts and possible technical changes.

Please fulfil only maintenance tasks mentioned in the owner manual by yourself. All other tasks have to be done by authorised AS-Motor dealer.

Subject to change without notice.

Images may show differences from the machines in production.

Blade cover



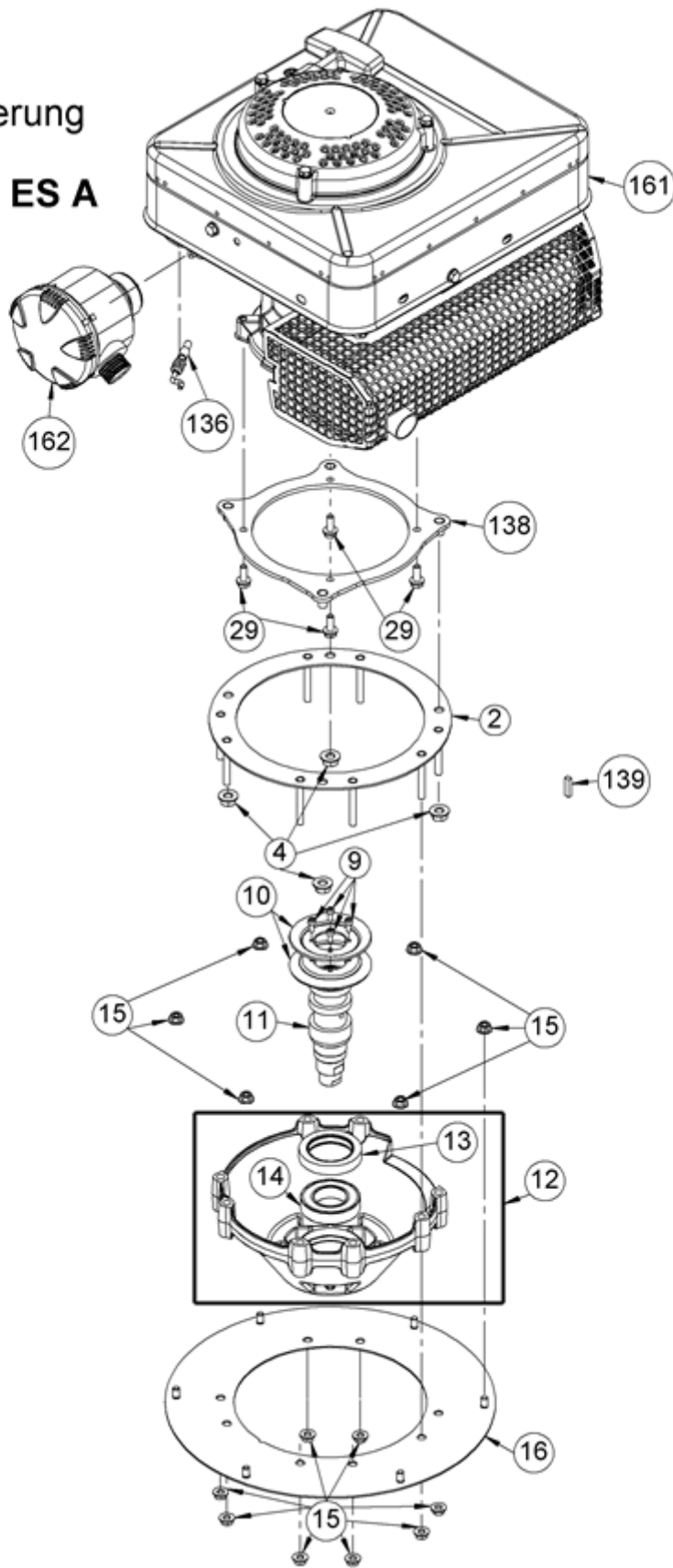
## Blade cover

Item	Part-No.		Quantity	Description
15	G00007041	E05975	19	Selflocking nut with serrated bearing (3
19	G51020020	E11850	1	Pipe frame right
20	G51020021	E11851	1	Pipe frame left
21	G51020016	E11846	1	Tank strut
23	G51020014	E11845	1	Height adjustment locking plate
24	G00009163	E11803	4	Countersunk screw with inside Torx (10 S
25	G51022001	E11859	2	Bar height adjustment
26	G00008148	E11878	2	Vibration damper (2 Stk.)
27	G51022002	E11860	2	Bearing shell
28	G07906002	E06667	4	Self-locking hex nut (10 Stk.)
29	G00009094	E07247	4	Locking screw (2 Stk.)
30	G07827008	E04991	16	Mushroom head square neck bolt (3 Stk.)
31	G00029026	E11898	4	Lamella plugs (10 Stk.)
120	G07827023	E11895	2	Mushroom head square neck bolt (10 Stk.)
165	G51026004	G51026004	2	Protection strip
166	G07827003	E04262	4	Mushroom head square neck bolt (5 Stk.)
167	G07937001	E12459	4	Hex nut (10 Stk.)
174	G51020034	G51020034	1	Hood AS 510 2IN1
175	G00007066	E10591	4	Nut with spring washer (10 Stk.)
176	<del>G00009193</del>	<del>G00009193</del>	1	Replaced by G51080009
	G51080009	G51080009	1	Bundmutter M6 + Schraube M6x10
177	G51026005	G51026005	1	Closing sheet
178	G51020035	G51020035	1	Impact protection
179	G51020036	G51020036	1	Angle bracket

# Motor with fixing

Motor mit  
Messerlagerung

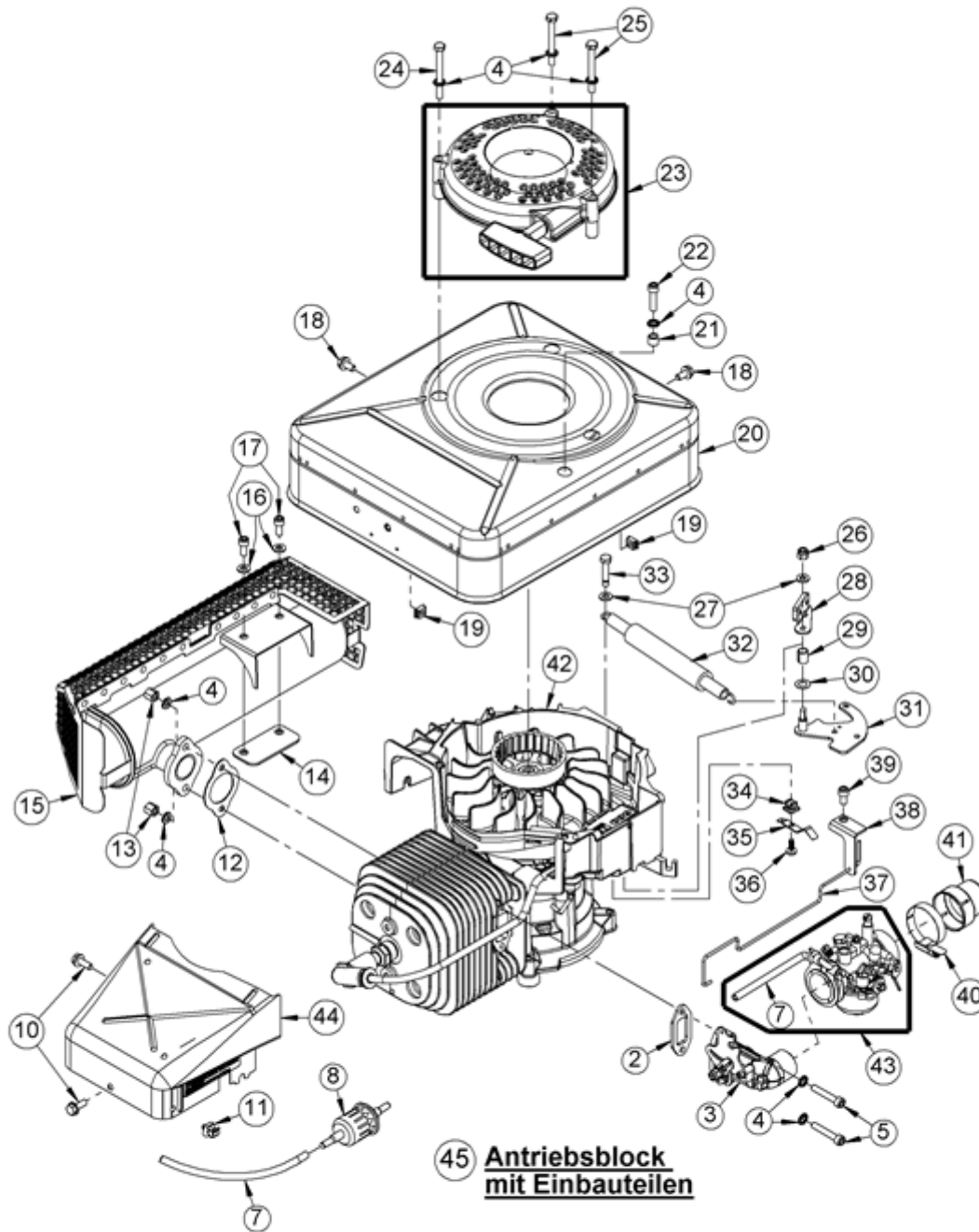
**AS 510 2T ES A**



## Motor with fixing

Item	Part-No.		Quantity	Description
2	G51023005	E11869	1	Mounting plate 4T
4	G00007042	E06037	4	Selflocking nut with serrated bearing (3
9	G07833029	E08544	4	Hexagon socket head cap screw (5 Stk.)
10	G04825016	E10457	2	Belt pulley dw 70
11	G51023002	E11867	1	Blade carrier
12	G51023004	E11868	1	Blade bearing pot
13	G07858019	E11883	1	Shaft seal ring
14	G07830028	E06855	1	Deep groove ball bearing
15	G00007041	E05975	14	Selflocking nut with serrated bearing (3
16	G51020019	E11849	1	Cover
29	G00009094	E07247	4	Locking screw (2 Stk.)
136	G00020170	E11945	1	Engine brake cable AS 510 A/2T
138	G51023400	E12288	1	Mounting plate 2T
139	G07865027	E10595	1	Feather key (2 Stk.)
161	G00680093	G00680093	1	Part no longer available.
162	G00605051	G00605051	1	Air filter total

# Drive block



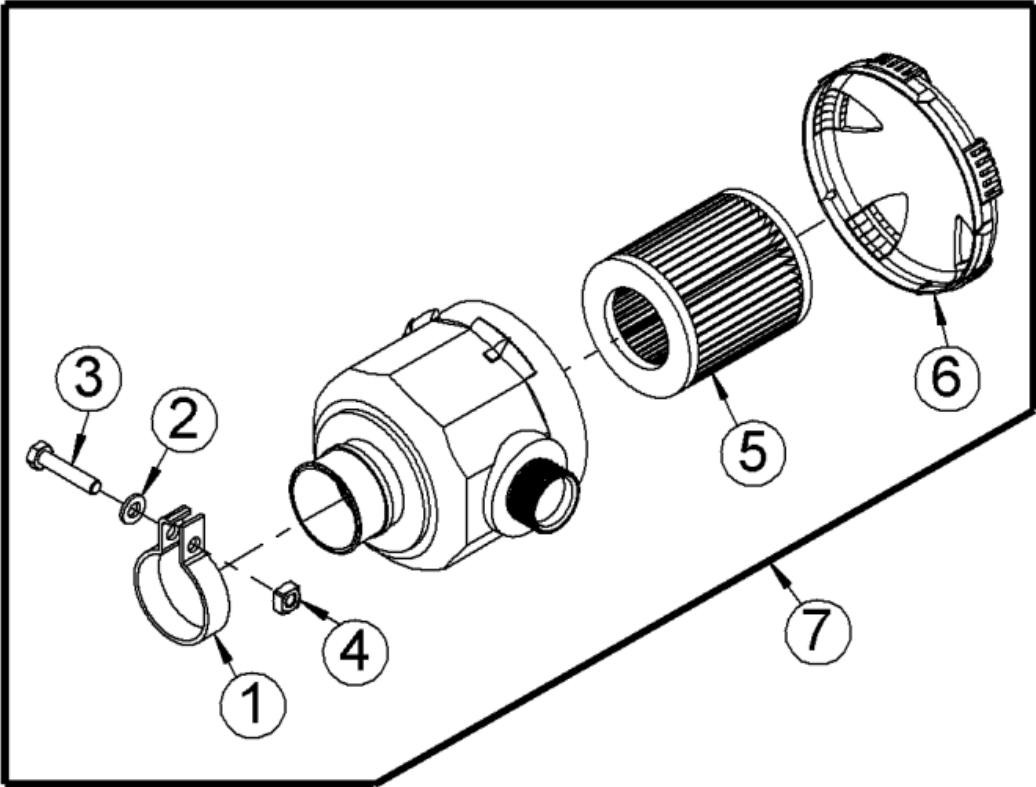
**AS 510 2T ES A**  
**ab Serienstart**

## Drive block

Item	Part-No.		Quantity	Description
2	G00105038	E03487	1	Insulating plate
3	G00105083	E11783	1	Intake manifold with shut-off panel
4	G00042006	E05862	8	Detent edge disc (5 Stk.)
5	G07833009	E04934	2	Hexagon socket head cap screw (3 Stk.)
7	G00150085	E04585	2	Fuel hose 1 metre
8	G00023004	E12374	1	Filter
10	G07913004	E10189	2	Hexagon screw with flange
11	G00026044	E10788	1	Cable holder (2 Stk.)
12	G00109003	E03366	1	Exhaust gasket
13	G00007025	E03706	2	Special nut (10 Stk.)
14	G00109071	E11794	1	Threaded plate
15	G00609056	G00609056	1	Catalyst exhaust system 4 wheel mower
16	G07809006	E01940	2	Disc (10 Stk.)
17	G07833042	E11516	2	Hexagon socket head cap screw (10 Stk.)
18	G07913008	E10836	2	Flange screw (20 Stk.)
19	G00007047	E06934	2	Punch and press-in nut
20	G00110031	G00110031	1	Engine cover
21	G00110013	E03699	1	Spacer sleeve (5 Stk.)
22	G07833007	E04854	1	Hexagon socket head cap screw (4 Stk.)
23	G00180086	E10820	1	Starter total + SK plate
24	G07837025	E04227	1	Hexagon screw
25	G07837014	E03744	2	Hexagon screw (5 Stk.)
26	G07846008	E03829	1	Self-locking hex nut (10 Stk.)
27	G07809006	E01940	2	Disc (10 Stk.)
28	G00134006	E06132	1	Brake lever with brake lining
29	G00028021	E11921	1	DU bush
30	G07812006	E07549	1	Spring disc (5 Stk.)
31	G00134038	E11749	1	Actuating lever
32	G00180136	E11810	1	Draw spring
33	G00134040	E11793	1	Screw spring bearing
34	G00008078	E05463	1	Insulating piece (3 Stk.)
35	G00134016	E06343	1	Short circuiting contact
36	G07875018	E07950	1	Raised cross-head sheet metal screw (5 S
37	G00134028	E10765	1	panel rod
38	G00134039	E11811	1	Panel rod bearing
39	G07833013	E05657	1	Hexagon socket head cap screw (3 Stk.)
40	G00034013	E04242	1	Hose clamp
41	G00605004	E04241	1	Adapter for silencer
42	G00680079	G00680079	1	Bare engine PLUS
43	G00105097	G00105097	1	Carburetor with hose
44	G00107039	E90008	1	Kühlluftführung
45	G00680093	G00680093	1	Part no longer available.



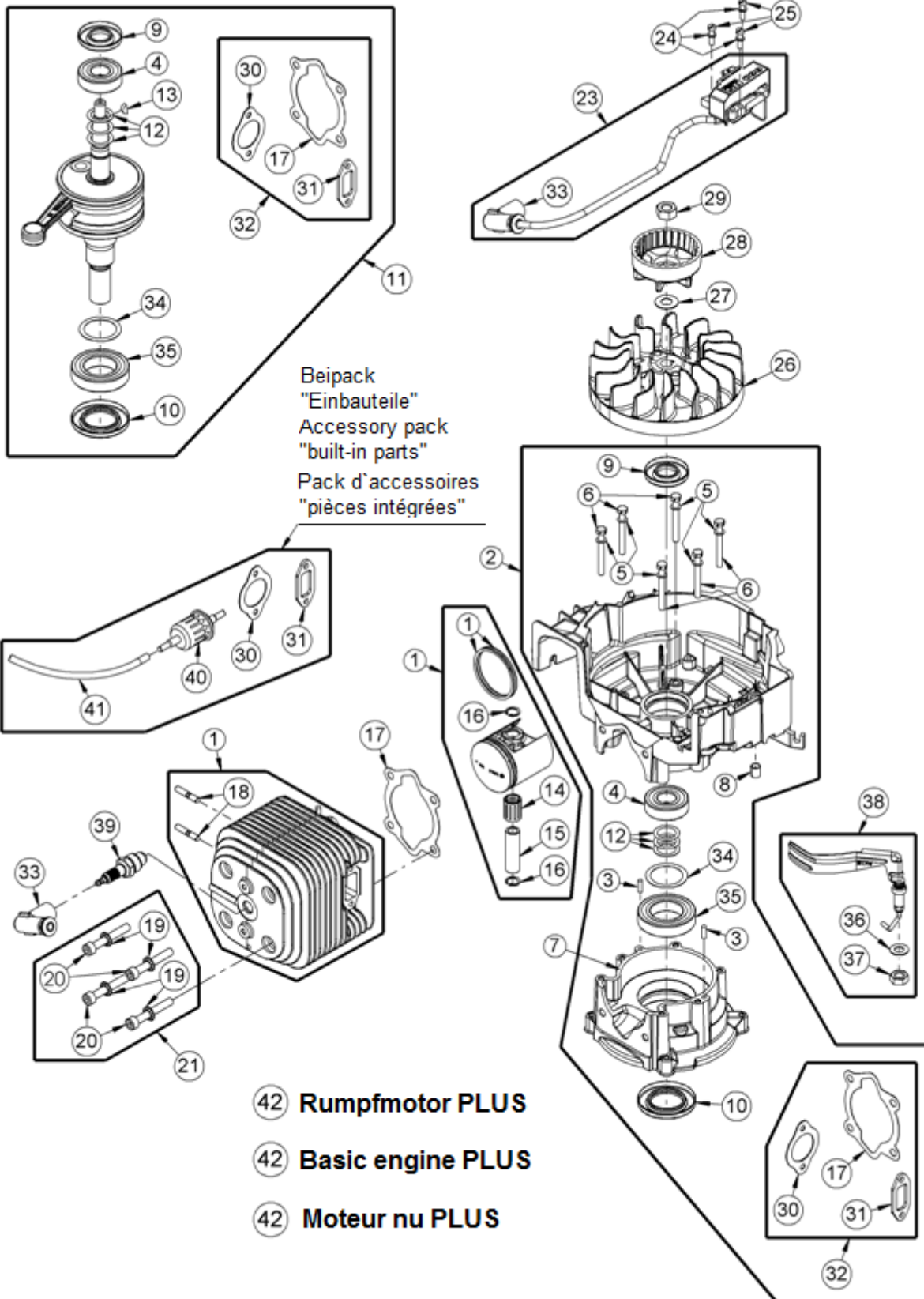
Air filter



## Air filter

<b>Item</b>	<b>Part-No.</b>		<b>Quantity</b>	<b>Description</b>
1	G00034024	E07547	1	Pipe clip
2	G07809006	E01940	1	Disc (10 Stk.)
3	G07838027	E03933	1	Hexagon screw (10 Stk.)
4	G07825002	E04225	1	Square nut (5 Stk.)
5	G06350106	E07545	1	Filter insert
6	G06350107	E08180	1	Cover for air filter
7	G00605051	G00605051	1	Air filter total

# Basic engine PLUS



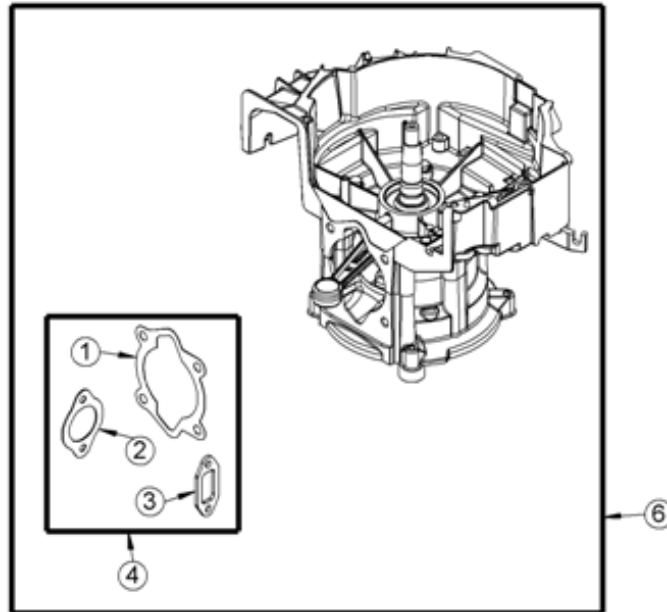
## Basic engine PLUS

Item	Part-No.		Quantity	Description
1	1	1	1	
2	G00180157	G00180157	1	Crankcase + mounting parts + 4717
3	G07801001	E01901	2	Zylindersti.5M6x14 DIN EN 2338 (10 Stk.)
4	G07830016	E03344	1	Deep groove ball bearing
5	G07812004	E01920	6	Spring disc (20 Stk.)
6	G07837014	E03744	6	Hexagon screw (5 Stk.)
7	G00041003	E04718	1	LOCTITE 572 (50 ml)
8	G00028021	E11921	1	DU bush
9	G07858003	E03345	1	Shaft seal ring
10	G00180117	E10958	1	Shaft seal ring + notice
11	G00680024	E10419	1	Crankshaft + mounting parts
12	G00180045	E04923	1	Shims 1 set
13	G07866003	E03361	1	Curved washer (10 Stk.)
14	G00036003	E03369	1	Needle cage
15	G07883003	E03342	1	Piston bolt
16	G07823008	E03343	2	Circlip for drilled hole (2 Stk.)
17	G00103009	E03349	1	Cylinder base gasket (2 Stk.)
18	G07832006	E01254	2	Stud (4 Stk.)
19	G00042004	E05863	4	Detent edge disc (5 Stk.)
20	G07833006	E04692	4	Hexagon socket head cap screw
21	G00180012	E05322	1	Fixing device for cylinder (6 HP)
23	G00104030	G00104030	1	Ignition coil with cable and plug
24	G07811006	E01908	3	Spring washer (20 Stk.)
25	G07802028	E03372	3	Cylinder screw (5 Stk.)
26	G00107038	E11725	1	Impeller
27	G07856009	E03958	1	Disc spring (5 Stk.)
28	G00111031	E04212	1	Tappet
29	G07839015	E03921	1	Hex nut (4 Stk.)
30	G00109003	E03366	1	Exhaust gasket
31	G00105038	E03487	1	Insulating plate
32	G00180003	E03683	1	Seal set 6 hp motor
33	G00150160	G00150160	1	Spark plug connector ES
34	G07847026	E04924	1	Shim (5 Stk.)
35	G07830011	E03101	1	Deep groove ball bearing
36	G07856005	E03483	1	Disc spring (5 Stk.)
37	G07839018	E03484	1	Hex nut (2 Stk.)
38	G00680050	E11779	1	Wind vane with mounting parts
39	G00104031	G00104031	1	Spark plug
40	G00023004	E12374	1	Filter
41	G00150085	E04585	1	Fuel hose 1 metre
42	G00680079	G00680079	1	Bare engine PLUS
E12487	G00103024	E12487	1	Cylinder Ø60,00 Easy Start
E12488	G00150156	E12488	1	Cylinder Ø60,02 Easy Start
E10493	G00180067	E10493	1	Piston Ø 59.92 + needle cage + 2 ST ring
E10494	G00180068	E10494	1	Piston Ø 59.94 + needle cage + 2 ST ring
E10495	G00180069	E10495	1	Piston Ø 60.05 + needle cage + 2 ST ring
E10496	G00180070	E10496	1	Piston Ø 60.45 + needle cage + 2 ST ring

## Basic engine PLUS Page 2

<b>Item</b>	<b>Part-No.</b>		<b>Quantity</b>	<b>Description</b>
E10580	G00180078	E10580	1	1 Set of semi trapez. rings Ø 59.92
E10723	G00180083	E10723	1	Semi-trapez. rings 60.05 (1 set=2 rings)
E10724	G00180084	E10724	1	Semi-trapez. rings 60.45 (1 set=2 rings)

# Basic engine



## Rumpfmotor

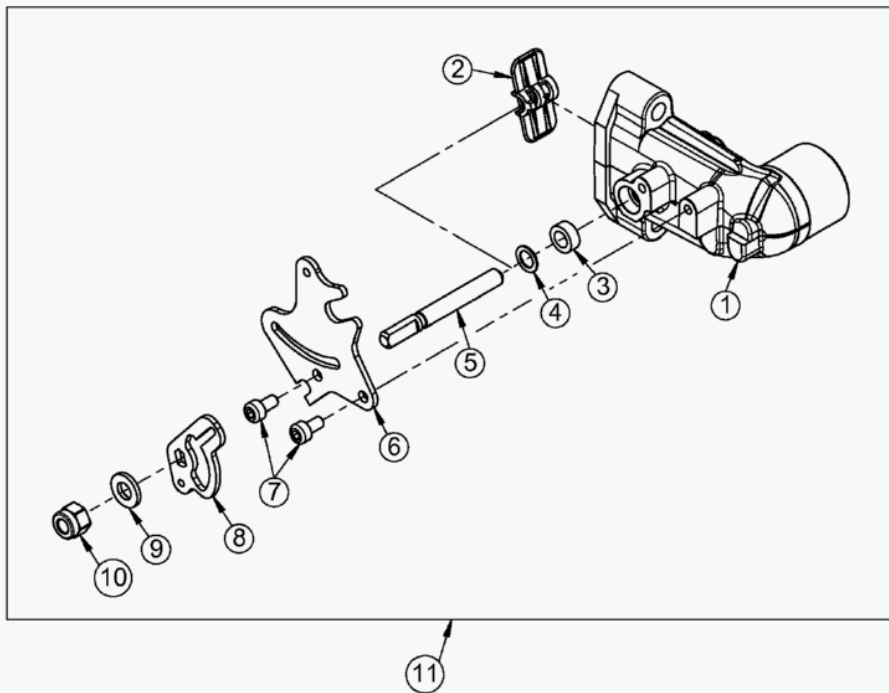
**AS 510 2T A ab Serien-Nr. 0243 15 07 0021**  
**AS 531 2T MK B ab Serien-Nr. 0263 15 07 0001**

	Lieferumfang :	Unpacking :	Éléments inclus à la livraison :
fertig montiert :	<b>Kurbelgehäuse Kurbelwelle Rillenkugellager Passscheiben Wellendichtringe</b>	Firmly mounted : <b>Crankcase Crankshaft Deep groove ball bearing Shims Shaft seal ring</b>	Pré-assemblé : <b>Carter de vilebrequin Vilebrequin Roulement à billes rainuré Rondelles d'ajustage Bague à lèvres</b>
beiliegend :	<b>Dichtungssatz</b>	Unmounted : <b>Seal set</b>	Compris : <b>Jeu de joints</b>

## Basic engine

Item	Part-No.		Quantity	Description
1	G00103009	E03349	1	Cylinder base gasket (2 Stk.)
2	G00109003	E03366	1	Exhaust gasket
3	G00105038	E03487	1	Insulating plate
4	G00180003	E03683	1	Seal set 6 hp motor
6	G00680082	G00680082	1	Bare engine

## Suction nozzle with shut-off flap



**Ansaugstutzen mit Sperrklappe**

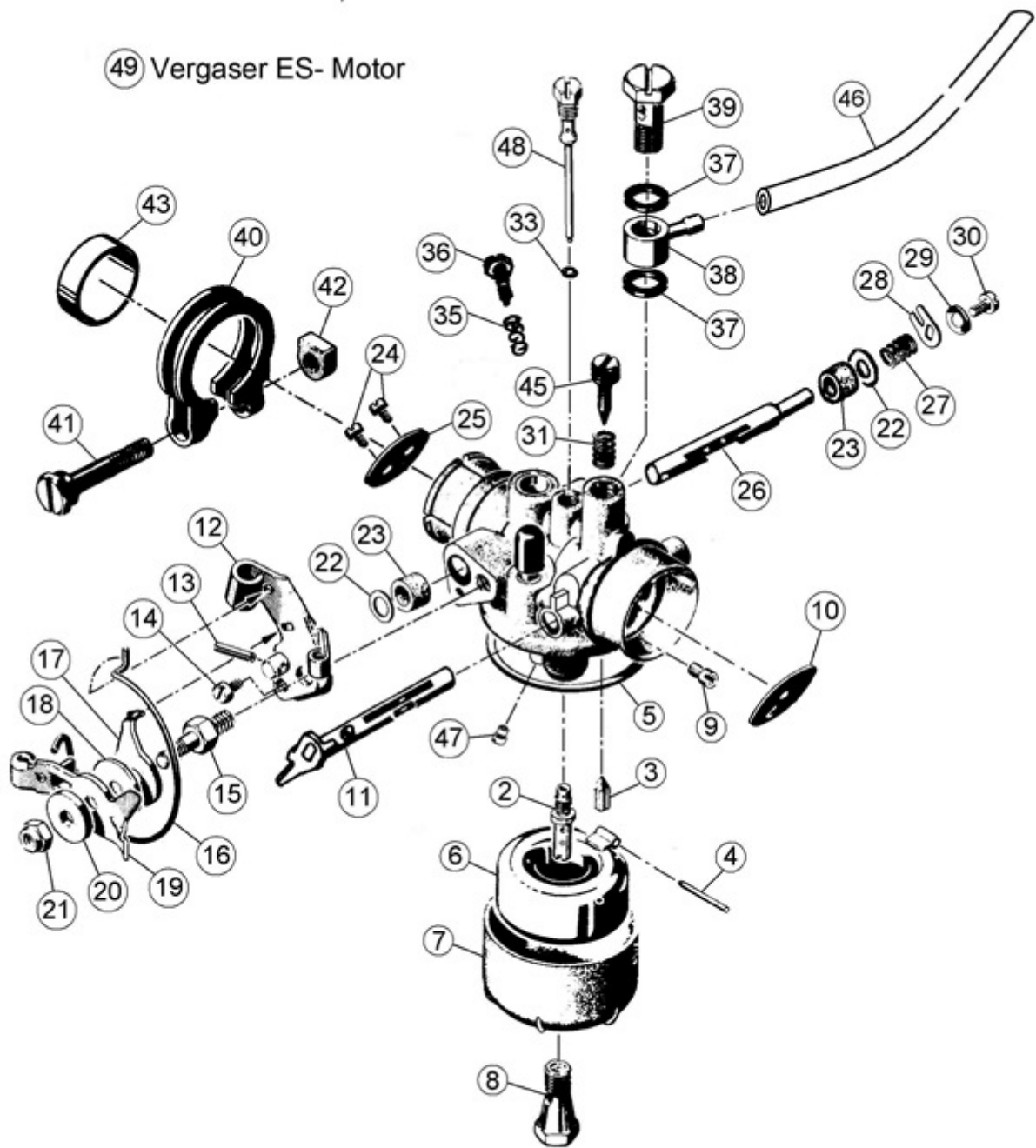
**ab 03.2011**



## Suction nozzle with shut-off flap

<b>Item</b>	<b>Part-No.</b>		<b>Quantity</b>	<b>Description</b>
1	G00105066	E10583	1	Intake manifold
2	G00105071	E10587	1	Shut-off panel
3	G00150031	E02776	10	Sealing sleeve (10 Stk.)
4	G00150077	E03475	10	Disc (10 Stk.)
5	G00105067	E10584	1	panel shaft
6	G00105084	E11812	1	Bearing plate
7	G07833036	E10802	10	Hexagon socket head cap screw (10 Stk.)
8	G00105070	E10586	1	panel lever
9	G07809006	E01940	10	Disc (10 Stk.)
10	G07846008	E03829	10	Self-locking hex nut (10 Stk.)
11	G00105083	E11783	1	Intake manifold with shut-off panel

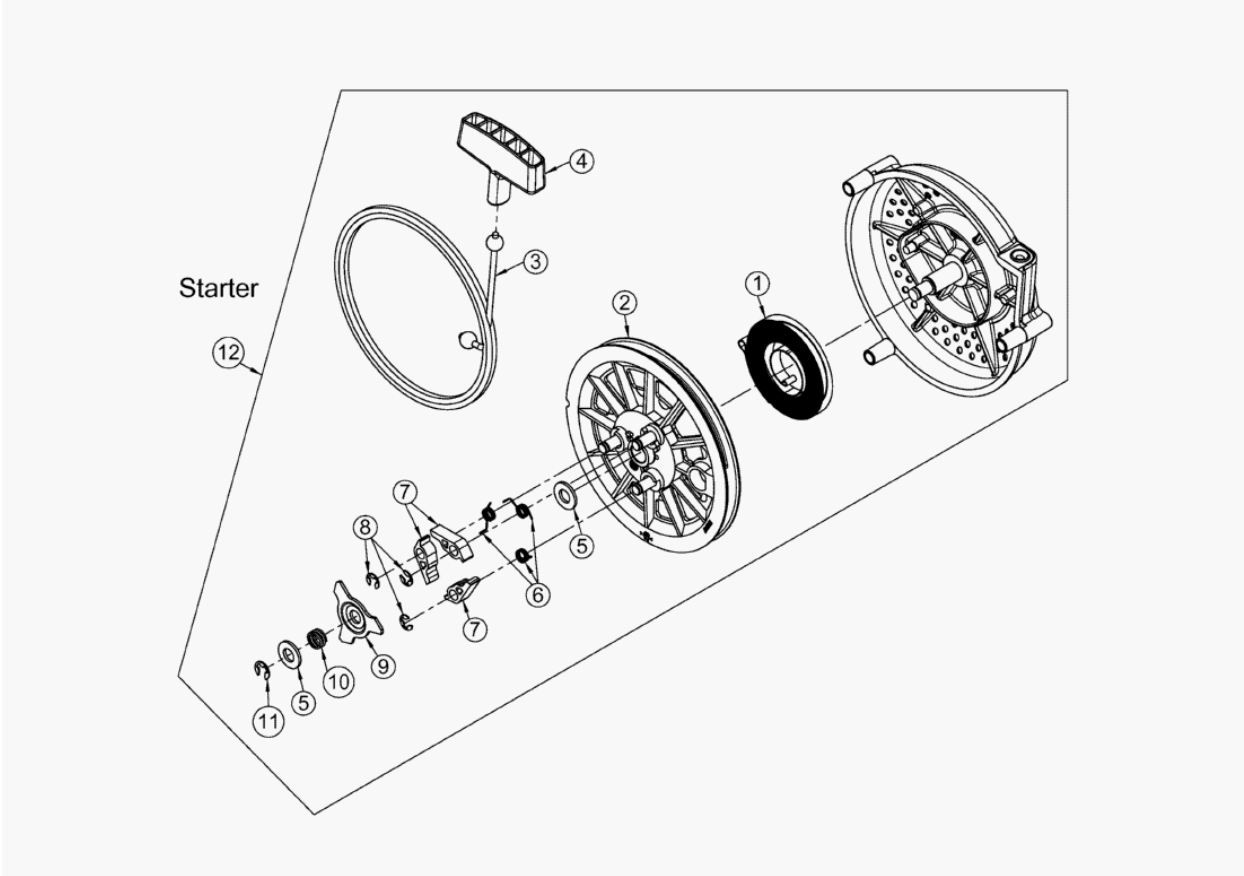
# Carburettor



# Carburettor

Item	Part-No.		Quantity	Description
2	G00150132	E10852	1	Mixing tube
3	G00150089	E04784	1	Flood needle
4	G00350014	E01203	1	Pin (10 Stk.)
5	G00350015	E01206	1	Gasket (2 Stk.)
6	G00250025	E05496	1	Floater
7	G00150016	E02760	1	Float cap
8	G00150133	E10853	1	Nozzle body
9	G00750019	E01205	1	Air correction jet 70 series
10	G00150060	E03398	1	Choke
11	G00150059	E03397	1	Starter axle with lever right
12	G00150025	E02770	1	Arm left
13	G00150026	E02771	1	Feather key (10 Stk.)
14	G00150024	E02769	1	Cylinder screw (10 Stk.)
15	G00150023	E02768	1	Stud (2 Stk.)
16	G00150022	E02767	1	Hairpin spring (2 Stk.)
17	G00150075	E03473	1	Washer disc (3 Stk.)
18	G00150020	E02765	1	Brake disc (10 Stk.)
19	G00150074	E03472	1	Hand lever
20	G00150018	E02763	1	Disc (10 Stk.)
21	G07846002	E01932	1	Self-locking hex nut (5 Stk.)
22	G00150077	E03475	1	Disc (10 Stk.)
23	G00150031	E02776	2	Sealing sleeve (10 Stk.)
24	G00150067	E03464	2	Raised countersunk head screw (5 Stk.)
25	G00150062	E03400	2	Throttle valve
26	G00150061	G00150061	1	Throttle shaft
27	G00150083	E04501	1	Spring (10 Stk.)
28	G00150084	E04502	1	Throttle lever (3 Stk.)
29	G00150043	E02788	1	Waved washer (10 Stk.)
30	G00150044	E02789	1	Raised head screw (10 Stk.)
31	G00150069	E03466	1	Spring (2 Stk.)
33	G00150082	E04223	1	Gasket (10 Stk.)
35	G00150072	E03469	1	Spring (2 Stk.)
36	G00150073	E03470	1	Adjusting screw
37	G00750023	E01210	1	Gasket (10 Stk.)
38	G00950022	E02506	1	Hose swivel joint
39	G00150006	E01248	1	Screw
40	G00150068	E03465	2	Clamping ring
41	G00150034	E02779	1	Clamping screw
42	G00150036	E02781	1	Nut (5 Stk.)
43	G00150090	E04932	1	Insulating bush
45	G00150137	E10915	1	Air adjust screw
46	G00150085	E04585	1	Fuel hose 1 metre
47	G00150161	G00150161	1	Main nozzle 92
48	G00150162	G00150162	1	Idle nozzle 55
49	G00105097	G00105097	1	Carburetor with hose

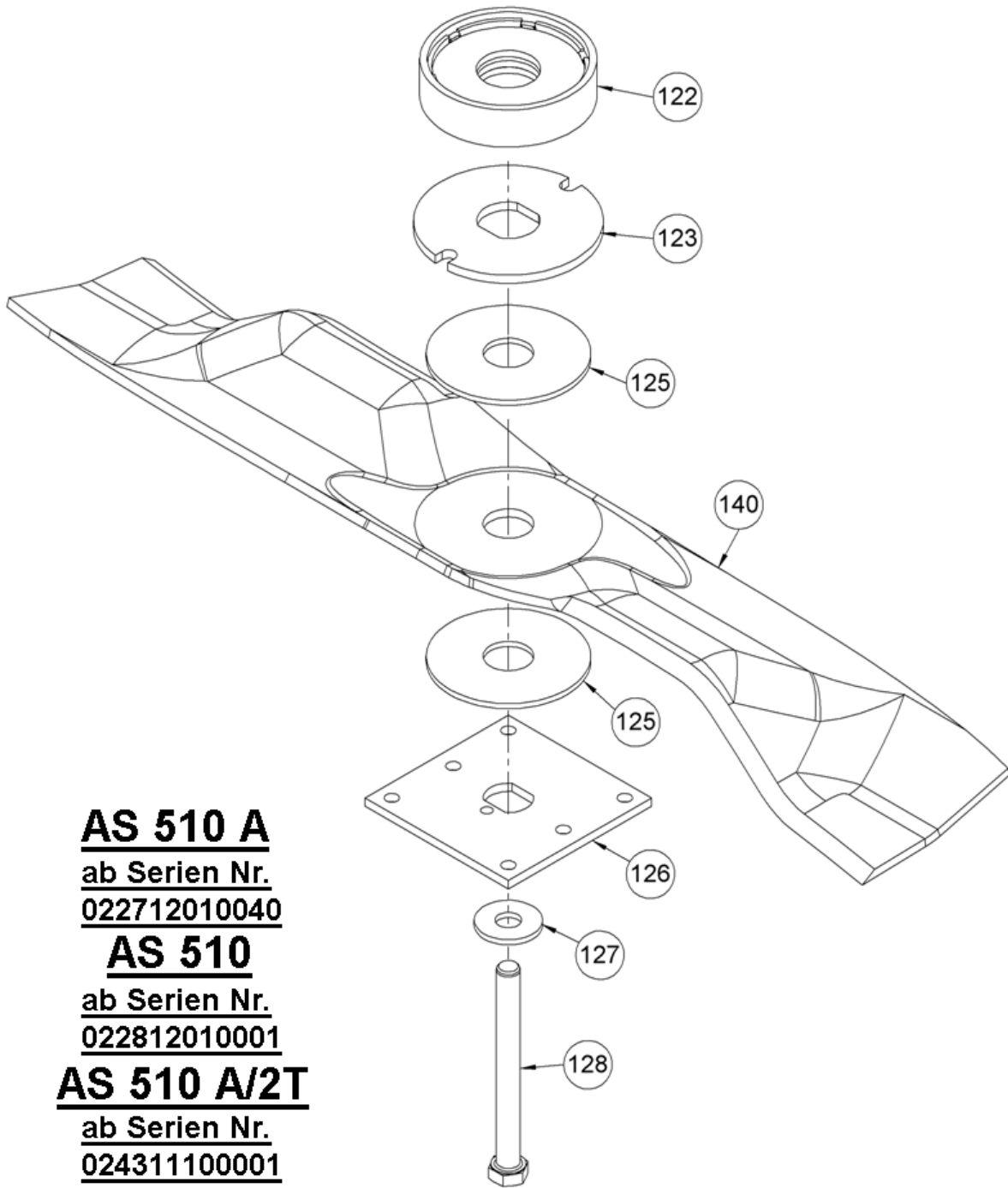
# Starter



## Starter

Item	Part-No.		Quantity	Description
1	G00111039	E04201	1	Return spring
2	G00111062	E10737	1	Cable pulley
3	G00111043	E04457	1	Starter rope Ø 4
4	G00111020	E01186	1	Handle
5	G07809008	E03668	5	Disc (5 Stk.)
6	G00003017	E04204	3	Claw recoil spring (3 Stk.)
7	G00111044	E04205	3	Claw (3 Stk.)
8	G07864003	E03137	20	Lock washer (20 Stk.)
9	G00111053	E05359	1	Cam
10	G00001057	E04206	1	Pressure spring
11	G07864005	E03970	20	Lock washer (20 Stk.)
12	G00180086	E10820	1	Starter total + SK plate

# Blade with fixing



**AS 510 A**

**ab Serien Nr.**

**022712010040**

**AS 510**

**ab Serien Nr.**


**022812010001**

**AS 510 A/2T**

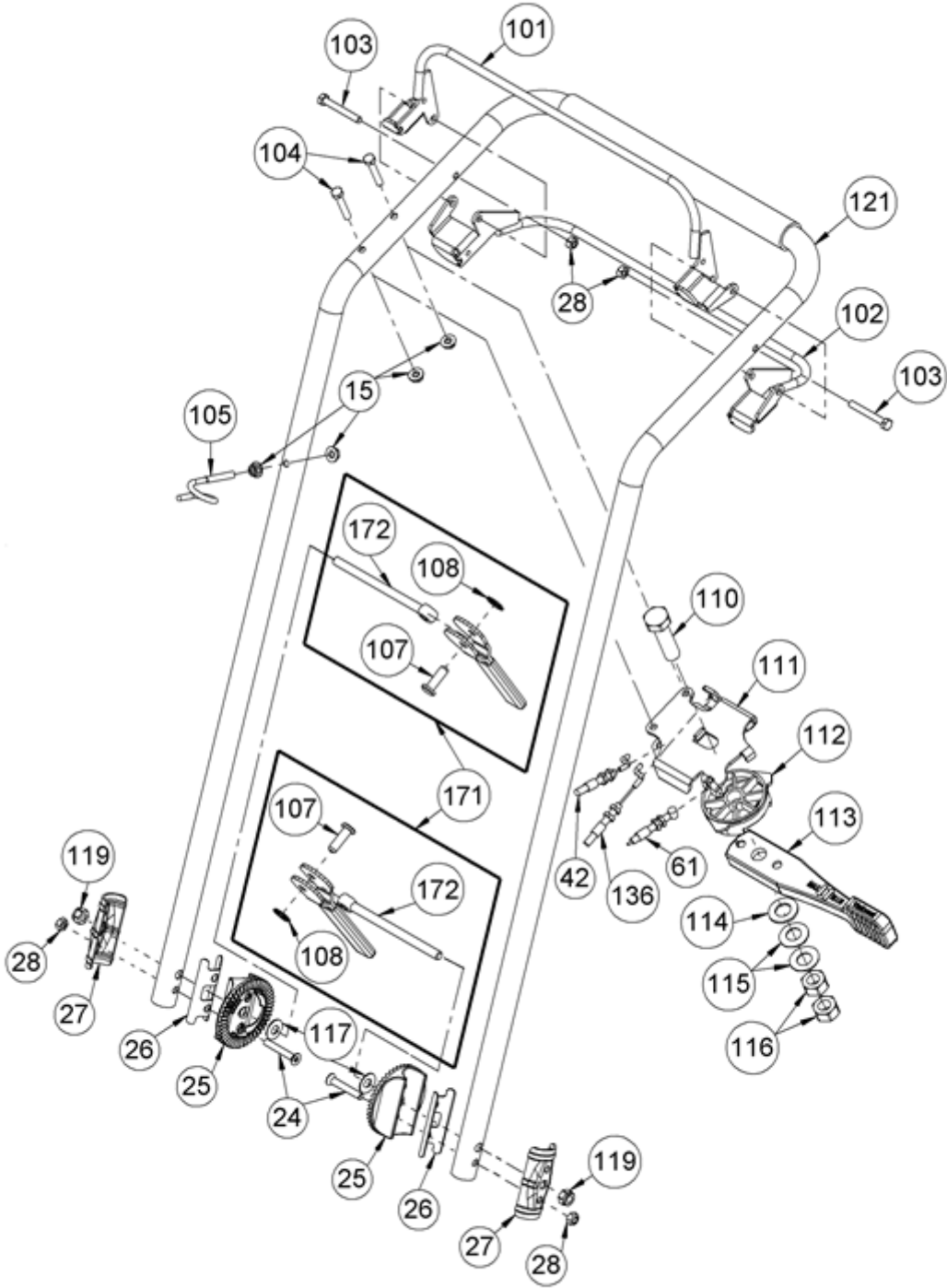
**ab Serien Nr.**

**024311100001**

## Blade with fixing

Item	Part-No.		Quantity	Description
122	G04323015	E10582	1	Winding protection cover total
123	G00010118	E10122	1	Pressure plate top
125	G00010099	E07082	2	Slide washer
126	G06123007	E03145	1	Pressure plate
127	G00042010	E06882	1	Detent edge disc (2 Stk.)
128	G00009089	E07015	1	Inch screw
140	<del>G51023008</del>	<del>E11937</del>	1	Replaced by E11823
	G51023001	E11823	1	Mulch blade

Strut

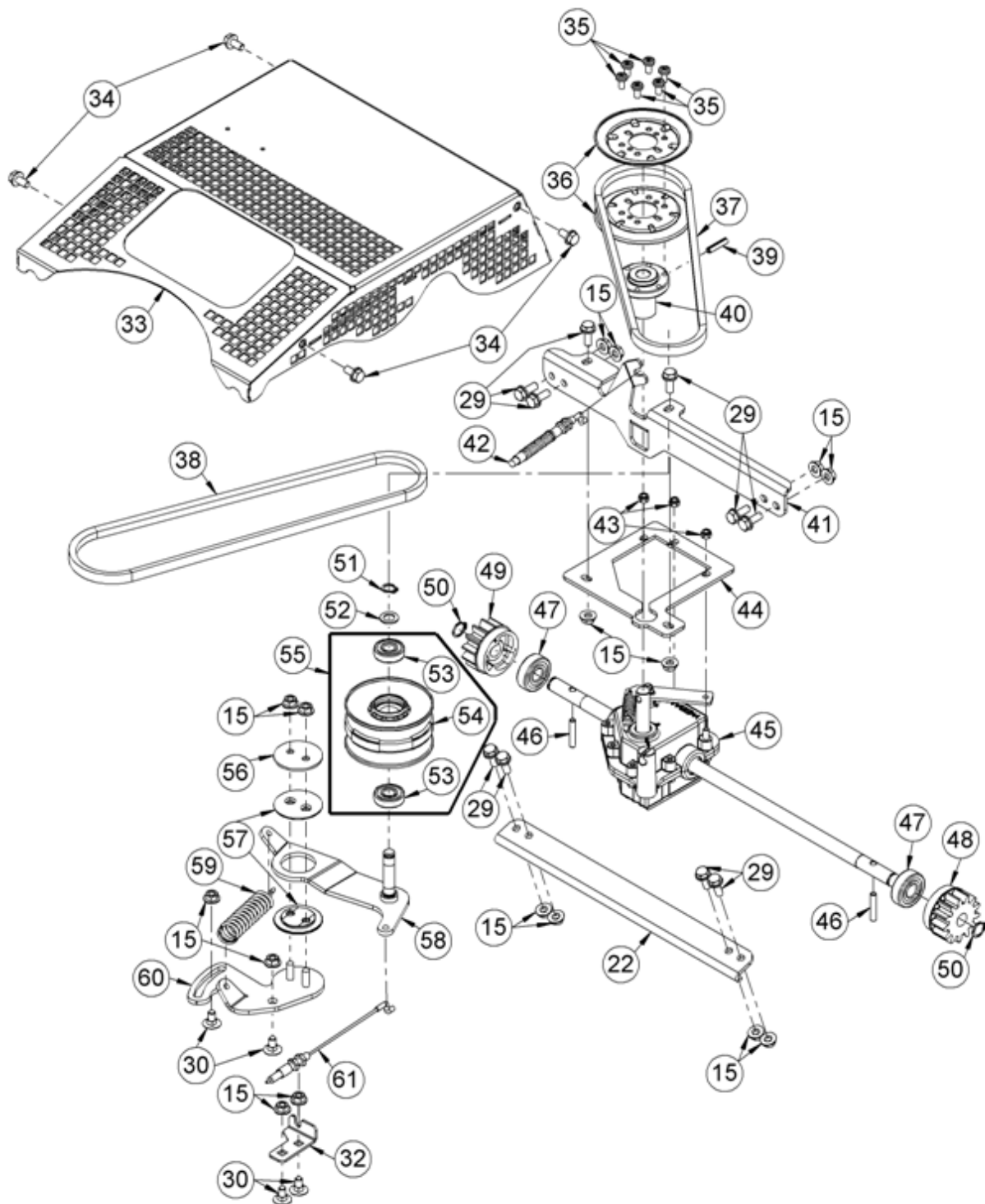




# Strut

Item	Part-No.		Quantity	Description
15	G00007041	E05975	4	Selflocking nut with serrated bearing (3
24	G00009163	E11803	2	Countersunk screw with inside Torx (10 S
25	G51022001	E11859	2	Bar height adjustment
26	G00008148	E11878	2	Vibration damper (2 Stk.)
27	G51022002	E11860	2	Bearing shell
28	G07906002	E06667	4	Self-locking hex nut (10 Stk.)
42	G00020167	E11836	1	Drive cable
61	G00020169	E11838	1	Vario cable
101	G51022005	E11862	1	Brake bar
102	G51022009	E11863	1	Drive bar
103	G07837068	E07643	2	Hexagon screw (2 Stk.)
104	G07837024	E04058	2	Hexagon screw (10 Stk.)
105	G00005038	E06864	1	Handle holder
107	G07886001	E04476	2	Bolt with head
108	G00027001	E04567	2	Shaft locking clip
110	G00009164	E11885	1	Hexagon screw, fine thread
111	G51022013	E11864	1	Vario sheet
112	G04322050	E05783	1	Adjusting disc
113	G04322055	E05784	1	Adjusting lever
114	G07809010	E03592	1	Disc (10 Stk.)
115	G07856006	E03319	2	Disc spring (10 Stk.)
116	G00007078	E11886	2	Fine thread nut (10 Stk.)
117	G00033005	E04568	2	Disc spring
119	G07846001	E01912	2	Self-locking hex nut (10 Stk.)
121	G51022014	E11865	1	Barre
136	G00020170	E11945	1	Engine brake cable AS 510 A/2T
171	G51022016	G51022016	2	Eccentric lever with eyebolt
172	G07820010	G07820010	2	Eye bolt

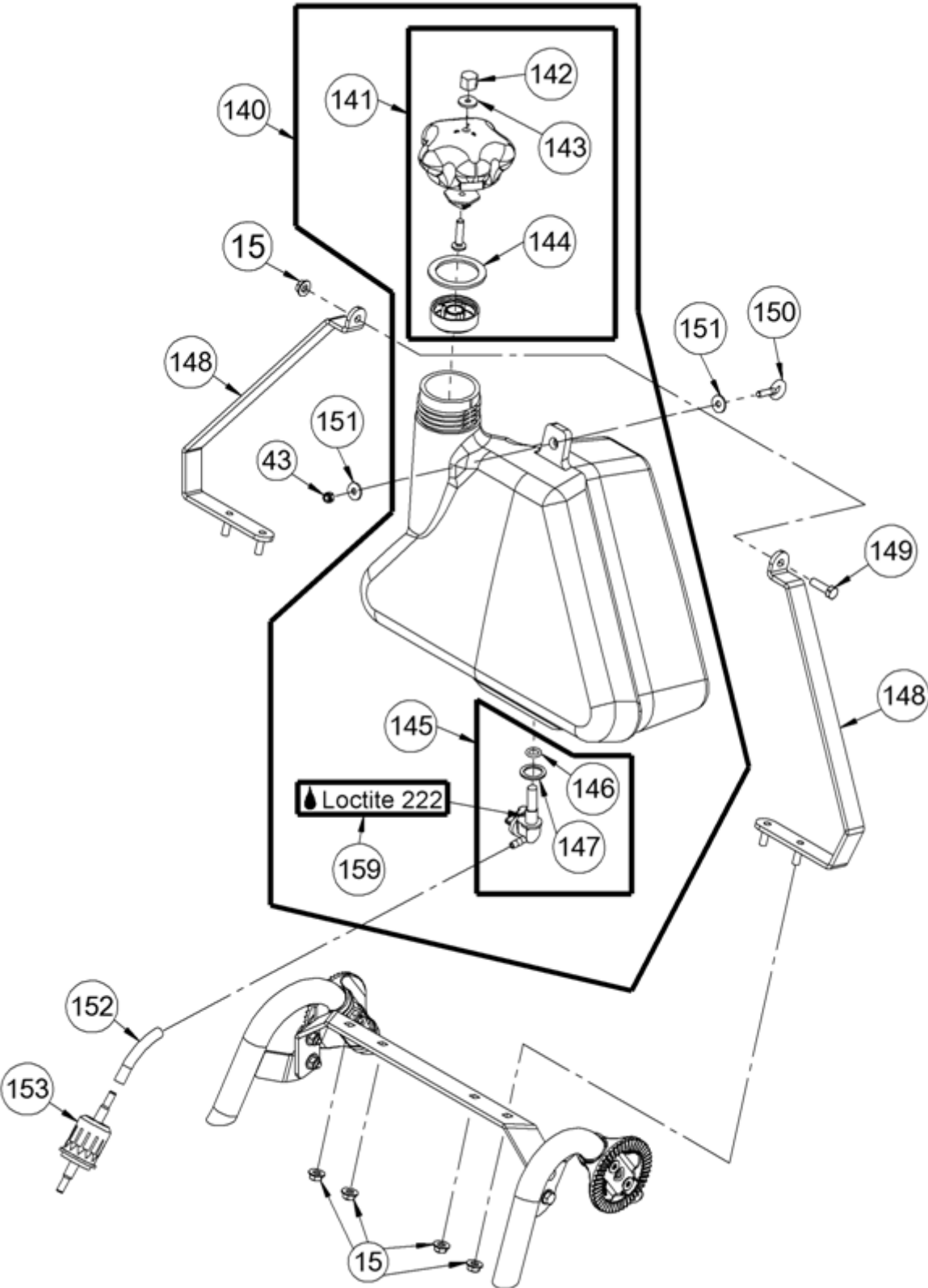
# Drive



## Drive

Item	Part-No.		Quantity	Description
15	G00007041	E05975	16	Selflocking nut with serrated bearing (3
22	G51020028	E11852	1	Strip
29	G00009094	E07247	10	Locking screw (2 Stk.)
30	G07827008	E04991	4	Mushroom head square neck bolt (3 Stk.)
32	G51022004	E11861	1	Bowden cable counter holder
33	G51026001	E11873	1	Belt covering
34	G00009016	E04631	4	Hexagon screw with serration (5 Stk.)
35	G00009149	E10597	6	Self-tapping Torx screw (10 Stk.)
36	G04825005	E10431	2	Belt pulley
37	G07857049	E11800	1	V-belt
38	G07857048	E11799	1	V-belt
39	G07853010	E03121	1	Spring pin (20 Stk.)
40	G51025001	E11870	1	Belt pulley hub
41	G51030002	E11876	1	Transmission holder
42	G00020167	E11836	1	Drive cable
43	G07846002	E01932	3	Self-locking hex nut (5 Stk.)
44	G51030003	E11877	1	Transmission retaining plate
45	G51030001	E11875	1	Transmission
46	G04225004	E04680	2	Needle roller
47	G07830030	E06988	2	Deep groove ball bearing
48	G04530055	E06911	1	Pinion left
49	G04530054	E06910	1	Pinion right
50	G07822005	E03229	2	Circlip for shaft (10 Stk.)
51	G07822002	E02650	1	Circlip for shaft (5 Stk.)
52	G07847008	E02649	1	Supporting disc (5 Stk.)
53	G07830014	E04345	2	Deep groove ball bearing
54	G04325039	E05976	1	Vario disc complete
55	G04325038	E04344	1	Vario disc with ball bearing
56	G04325106	E05515	1	Thrust washer
57	G04325105	E05457	2	Bearing washer (3 Stk.)
58	G51025003	E11872	1	Swivel lever
59	G00002011	E04343	1	Draw spring
60	G51025002	E11871	1	Adjusting plate
61	G00020169	E11838	1	Vario cable

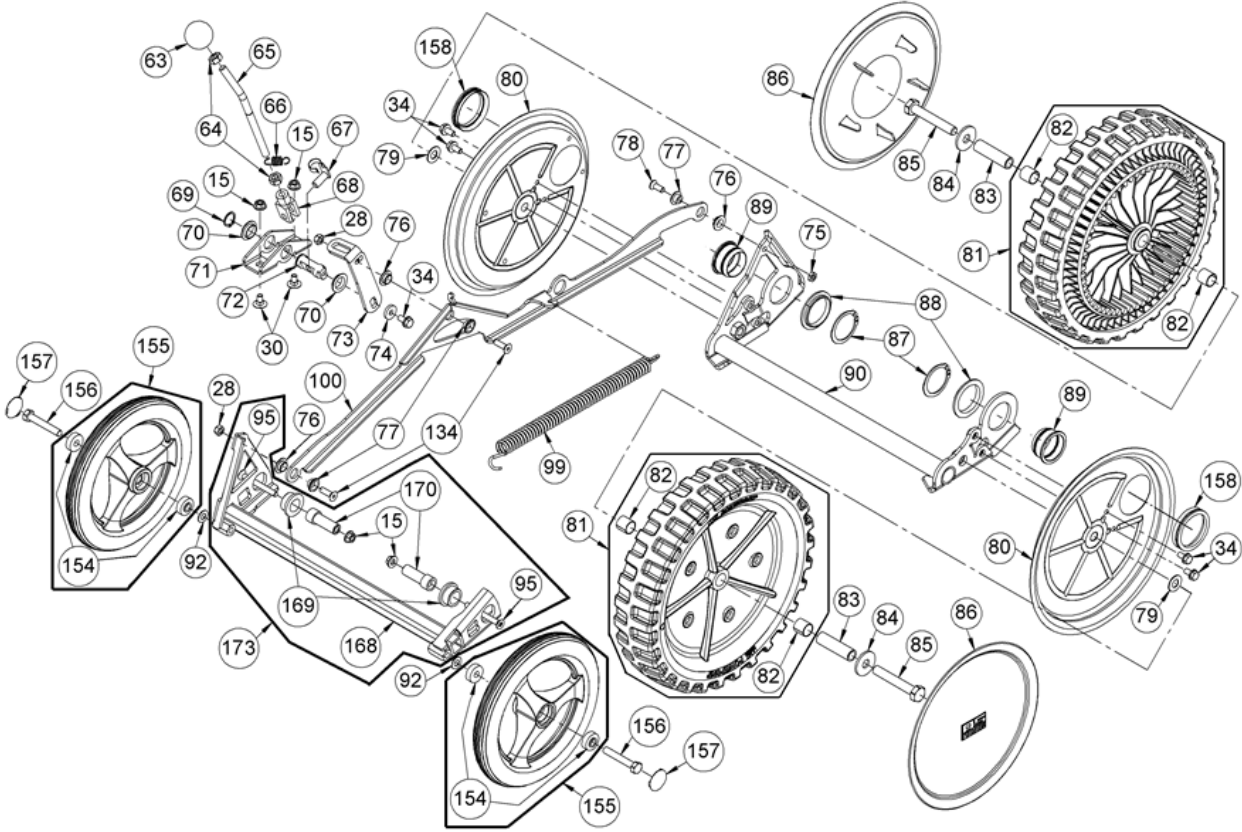
Fuel tank with fixation



## Fuel tank with fixation

Item	Part-No.		Quantity	Description
15	G00007041	E05975	5	Selflocking nut with serrated bearing (3
43	G07846002	E01932	1	Self-locking hex nut (5 Stk.)
140	G06306001	E03690	1	Fuel tank total
141	G06306007	E04783	1	Tank cap total
142	G00007033	E05247	1	Hexagon cap nut
143	G00019051	E05246	1	Sealing disc (5 Stk.)
144	G00019053	E04782	1	Seal (3 Stk.)
145	<del>G06380058</del>	<del>E01048</del>	1	Replaced by G00022017
	G00022017	G00022017	1	Fuel valve with gasket
146	G00006032	E02412	1	O-ring (2 Stk.)
147	G07847017	E04350	1	Supporting disc (5 Stk.)
148	G51006400	E12210	2	Tank mounting bracket
149	G07838019	E03886	1	Hexagon screw (10 Stk.)
150	G00009088	E07055	1	Eyebolt (2 Stk.)
151	G07880007	E03960	1	Disc (20 Stk.)
152	G00150085	E04585	1	Fuel hose 1 metre
153	G00023004	E12374	1	Filter
159	G00041019	E04719	1	LOCTITE 222 (50 ml)

# Cutting-height adjustment



## Cutting-height adjustment

Item	Part-No.		Quantity	Description
15	G00007041	E05975	4	Selflocking nut with serrated bearing (3
28	G07906002	E06667	2	Self-locking hex nut (10 Stk.)
30	G07827008	E04991	2	Mushroom head square neck bolt (3 Stk.)
34	G00009016	E04631	5	Hexagon screw with serration (5 Stk.)
63	G07917001	E07245	1	Spherical button
64	G07839003	E01906	1	Hex nut (10 Stk.)
65	G51020013	E11844	1	Height adjustment lever
66	G00002073	E11882	1	Draw spring
67	G00039005	E08459	1	Folding spring bolt
68	G07925005	E11879	1	Fork head
69	G07822007	E04326	1	Circlip for shaft (20 Stk.)
70	G00028060	E11806	2	Friction bearing with collar
71	G51020010	E11841	1	Height adjustment bearing
72	G51020011	E11842	1	Height adjustment pin
73	G51020012	E11843	1	Height adjustment guide lever
74	G07861005	E07877	1	Disc (2 Stk.)
75	G07818004	E03917	1	Hex nut (10 Stk.)
76	G00028061	E11881	3	Friction bearing with collar (3 Stk.)
77	G00024053	E11805	3	Bearing bush
78	G00009105	E08066	1	Countersunk screw with inside Torx
79	G07856005	E03483	2	Disc spring (5 Stk.)
80	G51021010	E11858	2	Cover plate
81	G04521015	E05269	2	Wheel complete
82	G00028005	E04601	4	DU bush
83	G06121007	E04185	2	Bearing sleeve
84	G07880001	E01980	2	Disc (10 Stk.)
85	G07837011	E04186	2	Hexagon screw (3 Stk.)
86	G04521014	E05271	2	Wheel trim
87	G07822019	E10461	2	Circlip for shaft (10 Stk.)
88	G00028048	E10433	2	Friction bearing with collar
89	G51020018	E11848	2	Bearing sleeve
90	G51021007	E11856	1	Rear wheel axle
92	G07856010	E04337	2	Disc spring (5 Stk.)
95	G00009162	E11802	2	Countersunk screw with inside Torx (10 S
96	G00028041	E07043	2	Friction bearing with collar
99	G00002025	E05547	1	Relieving spring
100	<del>G51020009</del>	<del>E11840</del>	1	Replaced by G51080008
	 G51080008	G51080008	1	Adjustment rod + draw spring
134	G07879001	E04342	2	Countersunk screw with hexagon socket (5
154	G51050003	E12739	4	Ball bearing (2 Stk.)
155	G53121017	E12408	2	Wheel Ø 200
156	G07837020	E03924	2	Hexagon screw (4 Stk.)
157	G53121018	E12409	2	Cap for wheel Ø 200
158	G00008201	E13161	2	Rot. shaft seal ring
168	G51021014	G51021014	1	Front wheel axle
169	G00028073	G00028073	2	DU flanged bush
170	G51020033	G51020033	2	Bearing bolt

Cutting-height adjustment Page 2

Item	Part-No.		Quantity	Description
173	G51080006	G51080006	1	Front axle+ Bearing+Bolt



# Instruction plate - set

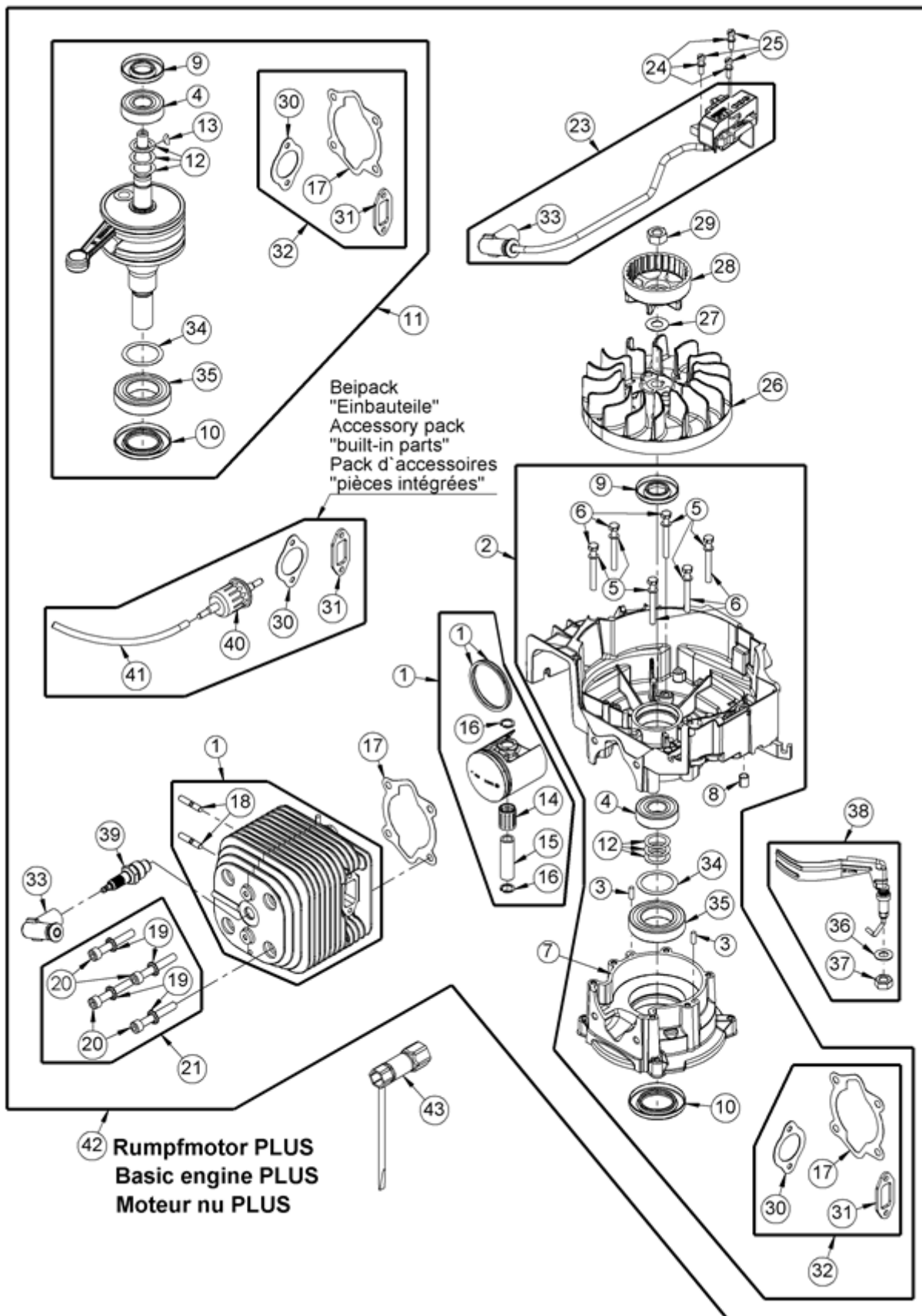


Pos.Nr.	ET-Nr.	Benennung
1	E12773	Aufkleber - Set AS 510

Instruction plate - set

Item	Part-No.		Quantity	Description
1	G51080003	E12773	1	Instruction plate - set AS 510

# Basic engine PLUS



# Basic engine PLUS

Item	Part-No.		Quantity	Description
1	1	1	1	
2	G00180157	G00180157	1	Crankcase + mounting parts + 4717
3	G07801001	E01901	2	Zylindersti.5M6x14 DIN EN 2338 (10 Stk.)
4	G07830016	E03344	1	Deep groove ball bearing
5	G07812004	E01920	6	Spring disc (20 Stk.)
6	G07837014	E03744	6	Hexagon screw (5 Stk.)
7	G00041003	E04718	1	LOCTITE 572 (50 ml)
8	G00028021	E11921	1	DU bush
9	G07858003	E03345	1	Shaft seal ring
10	G00180117	E10958	1	Shaft seal ring + notice
11	G00680024	E10419	1	Crankshaft + mounting parts
12	G00180045	E04923	1	Shims 1 set
13	G07866003	E03361	1	Curved washer (10 Stk.)
14	G00036003	E03369	1	Needle cage
15	G07883003	E03342	1	Piston bolt
16	G07823008	E03343	2	Circlip for drilled hole (2 Stk.)
17	G00103009	E03349	1	Cylinder base gasket (2 Stk.)
18	G07832006	E01254	2	Stud (4 Stk.)
19	G00042004	E05863	4	Detent edge disc (5 Stk.)
20	G07833006	E04692	4	Hexagon socket head cap screw
21	G00180012	E05322	1	Fixing device for cylinder (6 HP)
23	G00104030	G00104030	1	Ignition coil with cable and plug
24	G07811006	E01908	3	Spring washer (20 Stk.)
25	G07802028	E03372	3	Cylinder screw (5 Stk.)
26	G00107038	E11725	1	Impeller
27	G07856009	E03958	1	Disc spring (5 Stk.)
28	G00111031	E04212	1	Tappet
29	G07839015	E03921	1	Hex nut (4 Stk.)
30	G00109003	E03366	1	Exhaust gasket
31	G00105038	E03487	1	Insulating plate
32	G00180003	E03683	1	Seal set 6 hp motor
33	G00150160	G00150160	1	Spark plug connector ES
34	G07847026	E04924	1	Shim (5 Stk.)
35	G07830011	E03101	1	Deep groove ball bearing
36	G07856005	E03483	1	Disc spring (5 Stk.)
37	G07839018	E03484	1	Hex nut (2 Stk.)
38	G00680050	E11779	1	Wind vane with mounting parts
39	G00104031	G00104031	1	Spark plug
40	G00023004	E12374	1	Filter
41	G00150085	E04585	1	Fuel hose 1 metre
42	G00680079	G00680079	1	Bare engine PLUS
43	G00011002	G00011002	1	Spark plug wrench
E12487	G00103024	E12487	1	Cylinder Ø60,00 Easy Start
E12488	G00150156	E12488	1	Cylinder Ø60,02 Easy Start
E10493	G00180067	E10493	1	Piston Ø 59.92 + needle cage + 2 ST ring
E10494	G00180068	E10494	1	Piston Ø 59.94 + needle cage + 2 ST ring
E10495	G00180069	E10495	1	Piston Ø 60.05 + needle cage + 2 ST ring

## Basic engine PLUS Page 2

<b>Item</b>	<b>Part-No.</b>		<b>Quantity</b>	<b>Description</b>
E10496	G00180070	E10496	1	Piston Ø 60.45 + needle cage + 2 ST ring
E10580	G00180078	E10580	1	1 Set of semi trapez. rings Ø 59.92
E10723	G00180083	E10723	1	Semi-trapez. rings 60.05 (1 set=2 rings)
E10724	G00180084	E10724	1	Semi-trapez. rings 60.45 (1 set=2 rings)